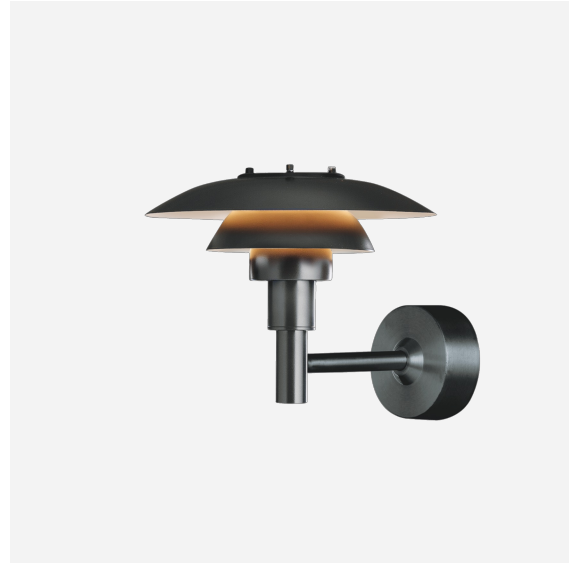


PH 3-2½ Wall

PH 3-2½ Wall - 5743145421

The fixture is designed based on the principle of a reflective three-shade system, which directs the light downwards. The shades have a matt white painted interior surface, diffusing the light in a comfortable way.



Poul Henningsen

Poul Henningsen was born in Copenhagen by the famous Danish actress Agnes Henningsen. He never graduated as an architect, but studied at The Technical School at Frederiksberg, Denmark from 1911-14, and then at Technical College in Copenhagen from 1914-17.



Product info

Finish

Black, powder coated.

Materials

Top shade: Spun stainless steel. Middle/lower shade: Spun stainless steel. Shadeholder: Form pressed glass.
Wall box: Die cast aluminium. Wall box cover: Spun aluminium. Arm: Stainless steel.

Mounting

Terminal block: 1x3x2.5mm². Cable entries: 2x bottom + 3x rear entries for Ø 10-14.5mm cable. Looping:
Approved, max. 3x1,5mm².

Sizes and weights

Width x Height x Length (mm) | 283 x 239 x 336 Max 2.4 kg

Class

Ingress protection IP44. Electric shock protection I w. ground.

Specification notes

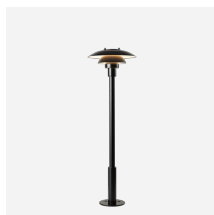
The innovation of light sources is ongoing. Consequently we only inform about the max. wattages. On
www.louispoulsen.com we update a list of recommendable light sources.

Light source & energy class

A+ - E | 1x60W E27



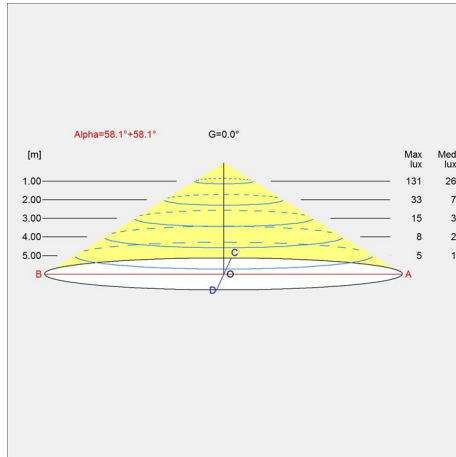
Product family



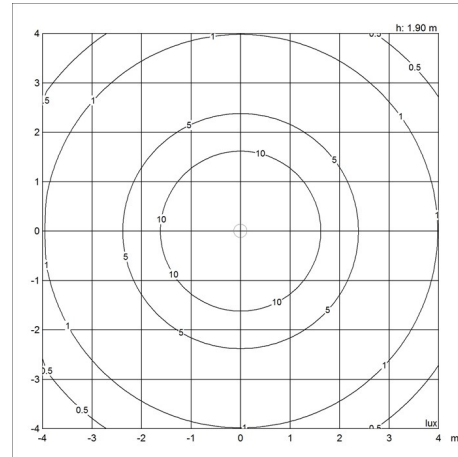
PH 3-2½ Bollard

Light distribution diagrams

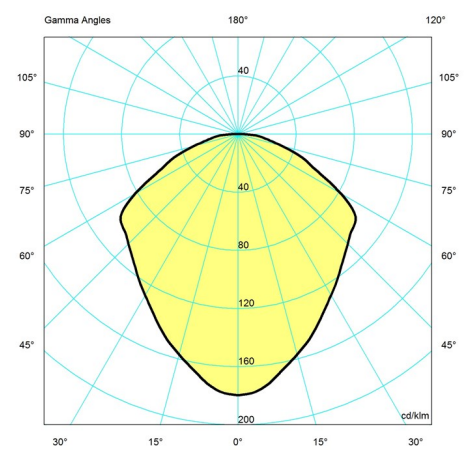
Cartesian



Isolux



Polar



Spare parts & accessories

Product	Variant number
PH 3-2½ BOL/WAL, TOP SCREWS, 3 PCS. BLK.	5747293405
PH 3-2½ BOL/WAL, GLASS	5747293418

Data specifications

BUG Rating	B0 U0 G0	Built-in Height	-
Class	I	CRI	-
Efficacy	-	Height	239
IK class	-	Inrush Current	-
IP class	44	Kelvin	-
L80B10 (hours)	-	L80B50 (hours)	-
Length	336	Light source	1x60W E27
Lumen	-	Min. Dim Level (%)	-

PH 3-2½ Wall

Net Weight	2.368
SDCM	-
Surge Protection. I _{max} IEC/EN61643-11, V IEC/EN61547	-
Watt	-
Wind Load per m ²	-

Power Factor (P = 100 % / P = 50 %)	-
Standby (W)	-
UGR Transversal / Axial	18.9/18.9
Width	283