

# PH 4½-3½ Glass Floor

PH 4½-3½ Glass Floor - 5744161514

The fixture is designed based on the principle of a reflective three-shade system, which directs the majority of the light downwards. The shades are made of mouth-blown opal three-layer glass, which is glossy on top and sandblasted matt on the underside, giving a soft and diffuse light distribution.



## Poul Henningsen

Poul Henningsen was born in Copenhagen by the famous Danish actress Agnes Henningsen. He never graduated as an architect, but studied at The Technical School at Frederiksberg, Denmark from 1911-14, and then at Technical College in Copenhagen from 1914-17.



Muratajyuki Inc.



Sydbank

## Product info

### Finish

High lustre chrome plated. White opal glass.

### Materials

Shades: Mouth-blown white opal glass. Anti glare ring: Purple, spun aluminium. Top plate: High lustre chrome plated, spun brass. Base: High lustre chrome plated, spun brass. Stem: High lustre chrome plated, steel.

### Mounting

Cable type: Plastic cord with plug. Cable length: 3.3m. Light control: On/off switch on cord.

### Sizes and weights

Width x Height x Length (mm) | 450 x 1250 x 450 Max 15.5 kg

### Class

Ingress protection IP20. Electric shock protection II w/o ground.

### Specification notes

The innovation of light sources is ongoing. Consequently we only inform about the max. wattages. On [www.louispoulsen.com](http://www.louispoulsen.com) we update a list of recommendable light sources.

### Light source & energy class

A+ - E | 1x100W E27



## Product family



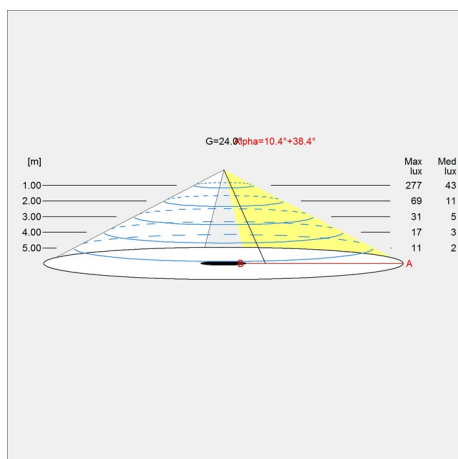
PH 4½-4 Glass Pendant



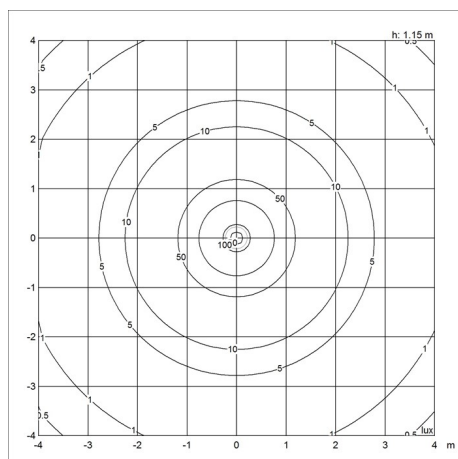
PH 4½-3½ Glass Table

# Light distribution diagrams

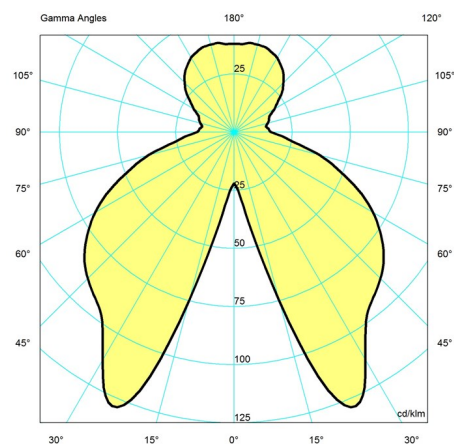
## Cartesian



## Isolux



## Polar



## Spare parts & accessories

Product	Variant number
PH 4½-3½ GLASS TABLE/FLOOR, MIDDLE SHADE	5744610612
PH 4½-3½ GLASS TABLE/FLOOR, LOWER SHADE	5744610625
PH 4½-3½ GLASS TABLE/FLOOR, TOPSHADE ACC	5744610722
FINGER SCREW SS M3X16 (3PCS)	5744610845
FOOT SWITCH, ON/OFF, BLACK	5717000000

## Data specifications

BUG Rating	<b>B1 U3 G1</b>	Built-in Height	-
Class	<b>II</b>	CRI	-
Efficacy	-	Height	<b>1250</b>
IK class	-	Inrush Current	-
IP class	<b>20</b>	Kelvin	-
L80B10 (hours)	-	L80B50 (hours)	-

**PH 4½-3½ Glass Floor**  
**1x100W E27**

Length	450
Lumen	-
Net Weight	15.513
SDCM	-
Surge Protection. I <sub>max</sub> IEC/EN61643-11, V IEC/EN61547	-
Watt	-
Wind Load per m2	-

Light source	1x100W E27
Min. Dim Level (%)	-
Power Factor (P = 100 % / P = 50 %)	-
Standby (W)	-
UGR Transversal / Axial	14.1/14.1
Width	450