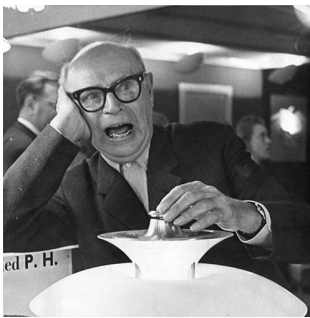


PH 80

PH 80 - 5744610816

The fixture emits diffuse and symmetrical light. The majority of the light is directed downwards, and the opal acrylic shades provide comfortable room lighting. The red hue of the top reflector helps giving the light a warmer glow.



Poul Henningsen

Poul Henningsen was born in Copenhagen by the famous Danish actress Agnes Henningsen. He never graduated as an architect, but studied at The Technical School at Frederiksberg, Denmark from 1911-14, and then at Technical College in Copenhagen from 1914-17.



Product info

Finish

White opal acrylic. High lustre chrome plated.

Materials

Shades: High pressure moulded white opal acrylic. Top shade: Black, high pressure moulded polycarbonate.
Base: Black, high pressure moulded ABS. Stem: High lustre chrome plated, steel.

Mounting

Cable type: Plastic cord with plug. Cable length: 2.6m. Light control: On/off switch on cord.

Sizes and weights

Width x Height x Length (mm) | 550 x 1315 x 550 Max 7.5 kg

Class

Ingress protection IP20. Electric shock protection II w/o ground.

Specification notes

The innovation of light sources is ongoing. Consequently we only inform about the max. wattages. On www.louispoulsen.com we update a list of recommendable light sources.

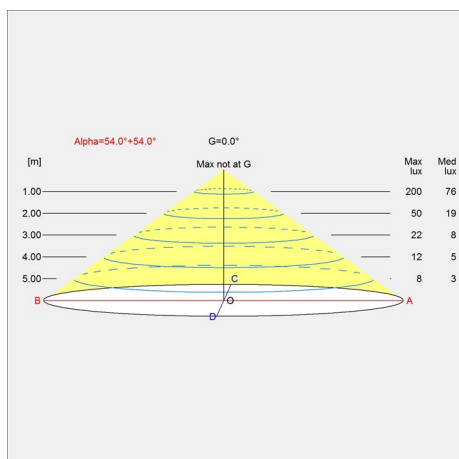
Light source & energy class

A+ - E | 1x70W E27

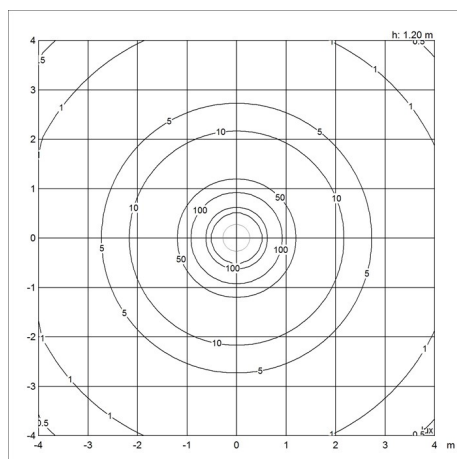


Light distribution diagrams

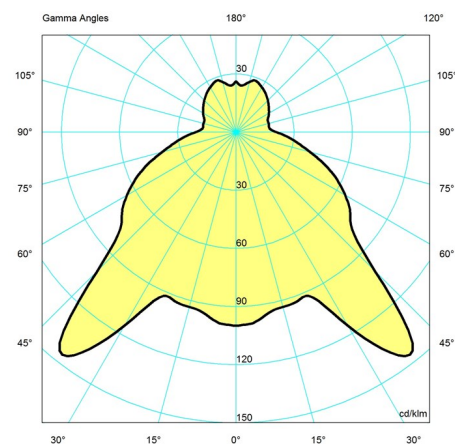
Cartesian



Isolux



Polar



Spare parts & accessories

Product	Variant number
PH 80, TOP SHADE	5744610298
PH 80, MIDDLE SHADE	5744610638
PH 80, LOWER SHADE	5744610641
PH 80, TOP ROUGE/BLACK	5744610667
PH 80, SOCKET COVER W/BRANCH	5744610654
PH 80 FLOOR, REBUILDING SET	5744610793
FOOT SWITCH, ON/OFF, BLACK	5717000000

Data specifications

BUG Rating	B1 U3 G1	Built-in Height	-
Class	II	CRI	-
Efficacy	-	Height	1315
IK class	-	Inrush Current	-
IP class	20	Kelvin	-

L80B10 (hours)	-
Length	550
Lumen	-
Net Weight	7.485
SDCM	-
Surge Protection. I _{max} IEC/EN61643-11, V IEC/EN61547	-
Watt	-
Wind Load per m ²	-

L80B50 (hours)	-
Light source	1x70W E27
Min. Dim Level (%)	-
Power Factor (P = 100 % / P = 50 %)	-
Standby (W)	-
UGR Transversal / Axial	13.5/13.5
Width	550