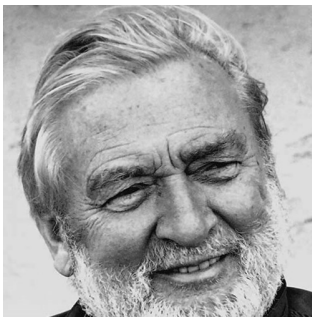


Panthella Table

Panthella Table - 5744163415

The fixture emits a soft and comfortable illumination. The hemispherical shade reflects the light downwards, and the material used ensures that the majority of the light is spread diffusely in the room from the surface of the shade.



Verner Panton

Verner Panton (1926-1998) is famous for his inspirational and colorful personality. A unique person with a special sense for color, shape, light function and space. Over the course of his career, Panton introduced a series of modern lamps with personalities unlike any of his Scandinavian contemporaries.



Product info

Finish

White opal acrylic.

Materials

Shade: Injection moulded white opal acrylic. Base: White, injection moulded ABS. Housing: White, injection moulded ABS.

Mounting

Cable type: Plastic cord with plug. Cable length: 2.1m. Light control: In-line switch on cord.

Sizes and weights

Width x Height x Length (mm) | 400 x 580 x 400 Max 2.5 kg

Class

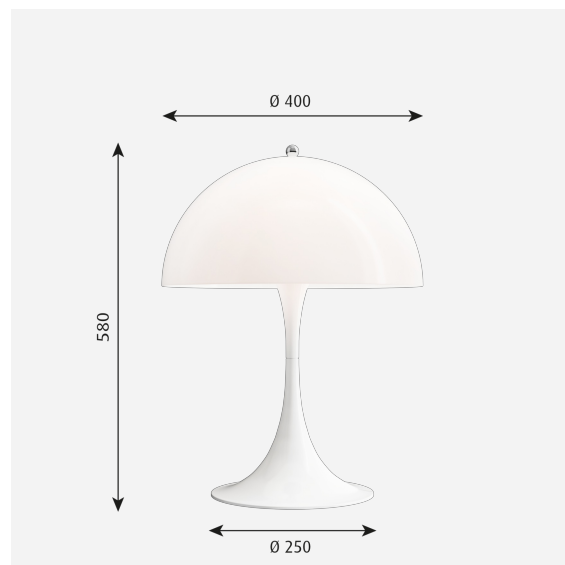
Ingress protection IP20. Electric shock protection II w/o ground.

Specification notes

The innovation of light sources is ongoing. Consequently we only inform about the max. wattages. On www.louispoulsen.com we update a list of recommendable light sources.

Light source & energy class

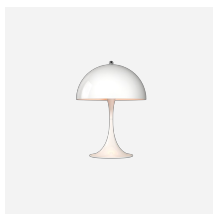
A+ - E | 1x60W E27



Product family



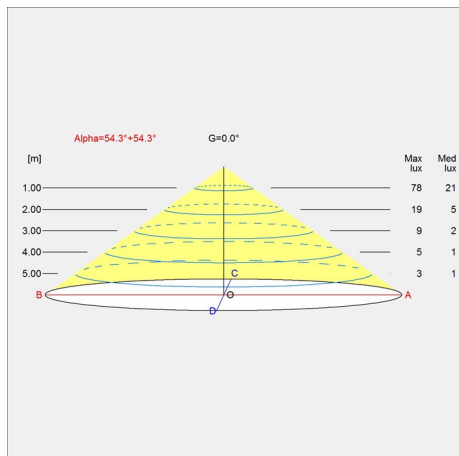
Panthella Floor



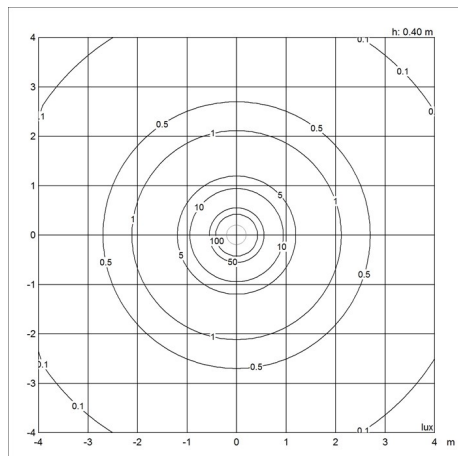
Panthella MINI

Light distribution diagrams

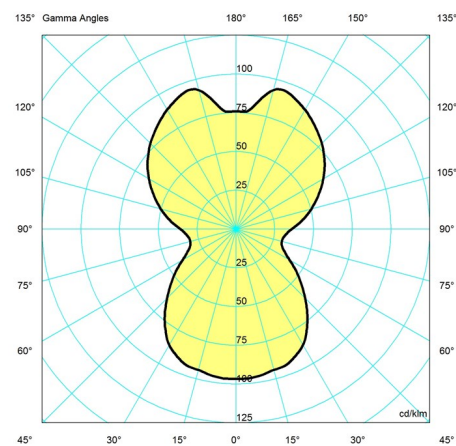
Cartesian



Isolux



Polar



Spare parts & accessories

Product	Variant number
PANTHELLA FLOOR/TABLE, NUT, CHROME	5744610049
PANTHELLA TABLE, SHADE	5744610366
PANTHELLA TABLE, CLEAR SHADEHOLDER	5744610544

Data specifications

BUG Rating	B0 U3 G1	Built-in Height	-
Class	II	CRI	-
Efficacy	-	Height	580
IK class	-	Inrush Current	-
IP class	-	Kelvin	-
L80B10 (hours)	-	L80B50 (hours)	-
Length	400	Light source	1x60W E27

Panthea Table

Lumen	-
Net Weight	2.462
SDCM	-
Surge Protection. I _{max} IEC/EN61643-11, V IEC/EN61547	-
Watt	-
Wind Load per m2	-

Min. Dim Level (%)	-
Power Factor (P = 100 % / P = 50 %)	-
Standby (W)	-
UGR Transversal / Axial	8.1/8.1
Width	400