

AJ Table Mini

AJ Table Mini - 5744166454

The fixture emits downward directed light. The angle of the shade can be adjusted to optimize light distribution. The shade is painted white on the inside to ensure a soft comfortable light.



Arne Jacobsen

Arne Jacobsen was born and raised in Copenhagen. In 1927, he graduated as an architect from the Royal Danish Academy of Fine Arts in Copenhagen. After graduating, he obtained his first job at the office of the City Architect of Copenhagen launching his own office only two years later.



Product info

Finish

Stainless Steel, polished. White, Black, Aubergine, Dark Green, Dark Grey, Light Grey, Midnight Blue, Original Grey, Pale Petroleum, Pale Rose, Rusty Red, Ultra Blue, Yellow Ochre, wet painted.

Materials

Shade: Spun steel or stainless steel. Base: Die cast zinc or stainless steel. Stem: Steel or stainless steel.

Mounting

Cable type: Plastic cord with plug. Cable length: 2.4m. Light control: Switch on lamp stand..

Sizes and weights

Width x Height x Length (mm) | 113 x 433 x 183 Max 1.4 kg

Class

Ingress protection IP20. Electric shock protection II w/o ground

Light source

1x20W E14

Information

The white, original grey and pale rose versions are supplied with a white cable. The other versions are supplied with a black cable.



Product family



AJ Royal



AJ Table



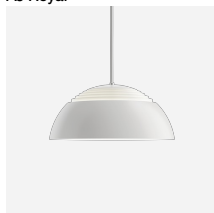
AJ Floor



AJ Wall



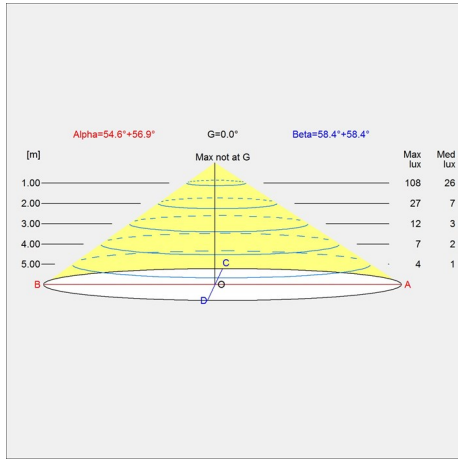
AJ 50 Wall



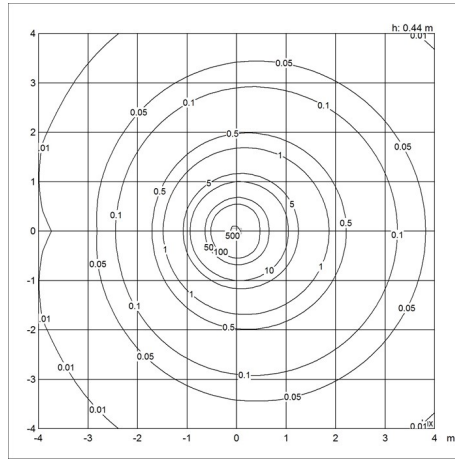
AJ Royal

Light distribution diagrams

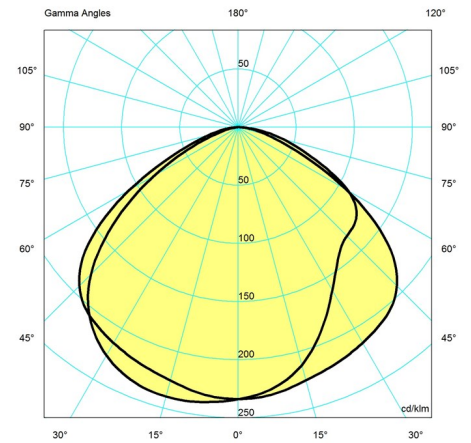
Cartesian



Isolux



Polar



Data specifications

| | | | |
|--|-----------------|-------------------------------------|------------------|
| BUG Rating | B0 U0 G0 | Built-in Height | - |
| Class | - | CRI | - |
| Efficacy | - | Height | 433 |
| IK class | - | Inrush Current | - |
| IP class | 20 | Kelvin | - |
| L80B10 (hours) | - | L80B50 (hours) | - |
| Length | 183 | Light source | 1x20W E14 |
| Lumen | - | Min. Dim Level (%) | - |
| Net Weight | 1.252 | Power Factor (P = 100 % / P = 50 %) | - |
| SDCM | - | Standby (W) | - |
| Surge Protection. I _{max} IEC/EN61643-11, V IEC/EN61547 | - | UGR Transversal / Axial | 23.3/21.6 |
| Watt | - | Width | 113 |
| Wind Load per m2 | - | | |

