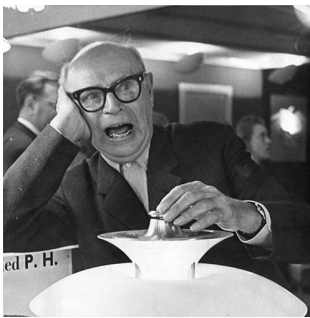


PH 3/2 Table

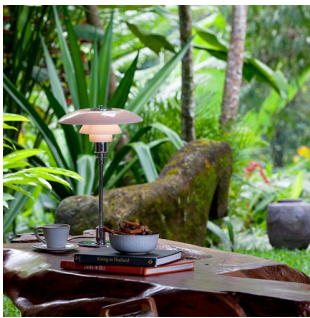
PH 3/2 Table - 5744610861

The fixture is designed based on the principle of a reflective three-shade system, which directs the majority of the light downwards. The shades are made of mouth-blown opal three-layer glass, which is glossy on top and sandblasted matt on the underside, giving a soft and diffuse light distribution.



Poul Henningsen

Poul Henningsen was born in Copenhagen by the famous Danish writer Agnes Henningsen. He never graduated as an architect, but studied at The Technical School at Frederiksberg, Denmark from 1911-14, and then at Technical College in Copenhagen from 1914-17.



Chapung SeBali Resort & Spa



American Heart Institute

Product info

Finish

Brass metallised, black metallised or high lustre chrome plated. White opal glass.

Materials

Shades: Mouth-blown white opal glass. Top plate: Brass metallised, black metallised or high lustre chrome plated, spun brass. Base and stem: Brass metallised, black metallised or high lustre chrome plated, brass.

Mounting

Cable type: Plastic cord with plug. Cable length: 2.1m. Light control: In-line switch on cord.

Sizes and weights

Width x Height x Length (mm) | 290 x 472 x 290 Max 2.9 kg

Class

Ingress protection IP20. Electric shock protection II w/o ground.

Specification notes

The innovation of light sources is ongoing. Consequently we only inform about the max. wattages. On www.louispoulsen.com we update a list of recommendable light sources.

Light source

1x40W E14



Product family



PH 3/2 Pendant



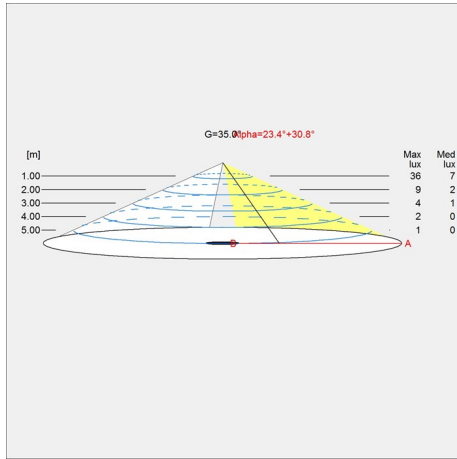
PH 3/2 Wall



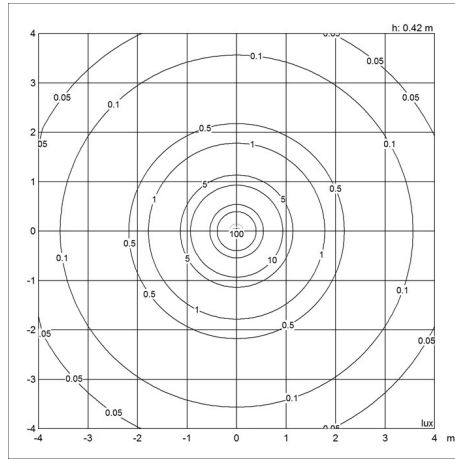
PH 3/2 Academy

Light distribution diagrams

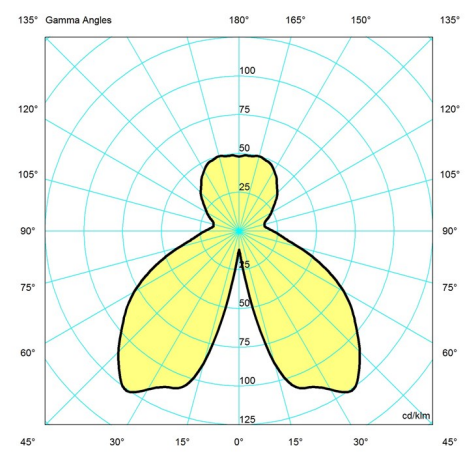
Cartesian



Isolux



Polar



Spare parts & accessories

Product	Variant number
PH 3-2, MIDDLE SHADE, GLASS	5741481598
PH 3-2, LOWER SHADE, GLASS	5741481608
PH 3-2 TABLE/WALL, TOP SHADE, GLASS	5741481585
PH 3/2, TOP SHADE, AMBER GLASS, TABLE	5744162607
PH 3/2, MIDDLE SHADE, AMBER GLASS	5744162610
PH 3/2, LOWER SHADE, AMBER GLASS	5744162623
FINGER SCREW SS M3X12 (3PCS) LOWER	5744610528
FINGER SCREW SS M2X8 (3PCS) MIDDLE	5744611116

Data specifications

BUG Rating	B0 U3 G0	Built-in Height	-
Class	II	CRI	-
Efficacy	-	Height	472
IK class	-	Inrush Current	-
IP class	20	Kelvin	-

PH 3/2 Table

L80B10 (hours)	-
Length	290
Lumen	-
Net Weight	2.939
SDCM	-
Surge Protection. I _{max} IEC/EN61643-11, V IEC/EN61547	-
Watt	-
Wind Load per m ²	-

L80B50 (hours)	-
Light source	1x40W E14
Min. Dim Level (%)	-
Power Factor (P = 100 % / P = 50 %)	-
Standby (W)	-
UGR Transversal / Axial	18.1/18.1
Width	290