

Daphne LED

design Tommaso Cimini, 1975

release 2019, December



Table standing lamp of metal with an articulated pivoting arm, the head can rotate 360°. The light source is a 9 W-LED controlled by a switch which can be set in ways: on/half light/off or stepless dimmer.

Finishing

Standard

● Black soft touch
cod. 01L01STK27

○ Matt white
cod. 01L02OPK27

● Brushed nickel
cod. 01L44K27

Special

● Matt red
cod. 01L03OPK27

● Matt yellow
cod. 01L05OPK27

● Metallic bronze
cod. 01L29MTK27

All RAL coating and galvanic finishes available upon request

Light emission

- Light emission: diffuse
- Light direction: downlight
- Light source: led board
- Source flux: 775 lm
- Emitted flux: 622 lm
- Efficacy: 62,2 lm/W
- CCT: 2700K
- CRI index: 97
- Lifetime: >55000h L80 @ 25°C

Electrical Facts

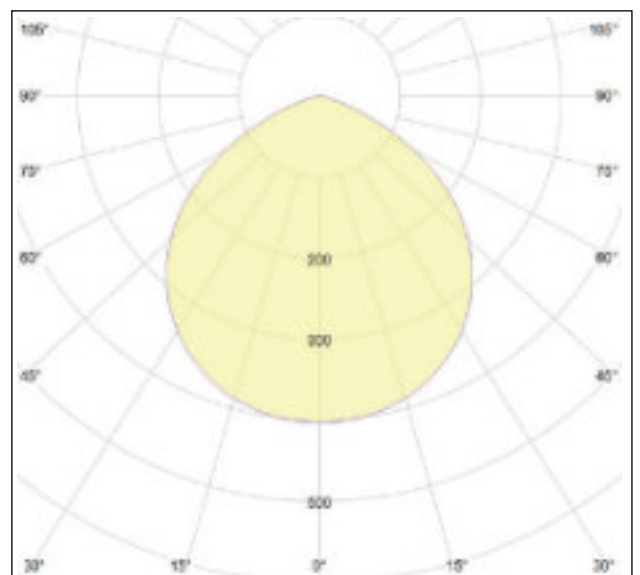
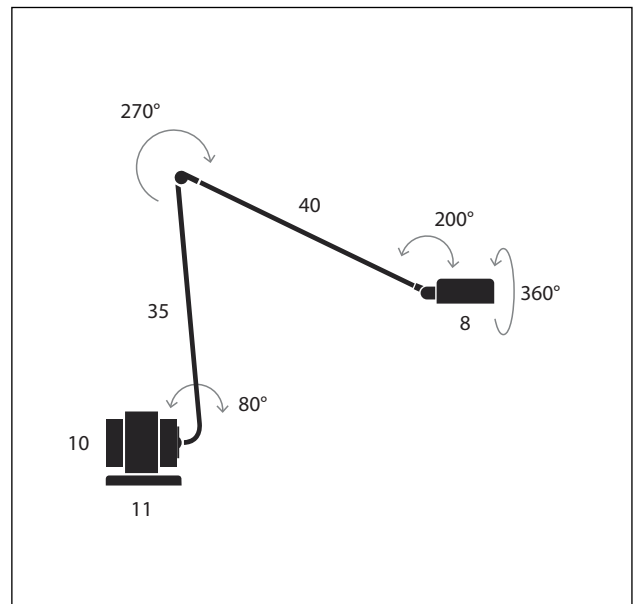
- Source power: 9W
- Power absorption: 10W
- Stand-by absorption: < 1 W
- Grid voltage: 100-240V AC/50-60 Hz
- Power supply: multiplug AC-DC converter provided
- Dimmability: internal push dimmer – 2 ways dimming
- Energy class: A++

Technical data

- Environment: indoor
- Placement: table
- Net weight: 2,5 Kg
- Certifications: CE
- Suggested ambient T: 25°C
- Maximum ambient T: 40°C
- Insulation class: III
- Protection class: IP20

Packaging
cardboard box
22 x 53 x 14 (cm)
0,016 m³

Gross weight
3,42 Kg



Daphne LED

design Tommaso Cimini, 1975

release 2019, December



Table standing lamp of metal with an articulated pivoting arm, the head can rotate 360°. The light source is a 9 W-LED controlled by a switch which can be set in ways: on/half light/off or stepless dimmer.

Finishing

Standard

● Black soft touch cod. 01L01STK27ETL

○ Matt white cod. 01L02OPK27ETL

● Brushed nickel cod. 01L44K27ETL

Special

● Matt red cod. 01L03OPK27ETL

● Matt yellow cod. 01L05OPK27ETL

● Metallic bronze cod. 01L29MTK27ETL

All RAL coating and galvanic finishes available upon request

Light emission

- Light emission: diffuse
- Light direction: downlight
- Light source: led board
- Source flux: 775 lm
- Emitted flux: 622 lm
- Efficacy: 62,2 lm/W
- CCT: 2700K
- CRI index: 97
- Lifetime: >55000h L80 @ 25°C

Electrical Facts

- Source power: 9W
- Power absorption: 10W
- Stand-by absorption: < 1 W
- Grid voltage: 100-240V AC/50-60 Hz
- Power supply: multiplug AC-DC converter provided
- Dimmability: internal push dimmer – 2 ways dimming
- Energy class: A++

Technical data

- Environment: indoor
- Placement: table
- Net weight: 2,5 Kg
- Certifications: ETL
- Suggested ambient T: 25°C
- Maximum ambient T: 40°C
- Insulation class: III
- Protection class: IP20

Packaging
cardboard box
22 x 53 x 14 (cm)
0,016 m³

Gross weight
3,42 Kg

