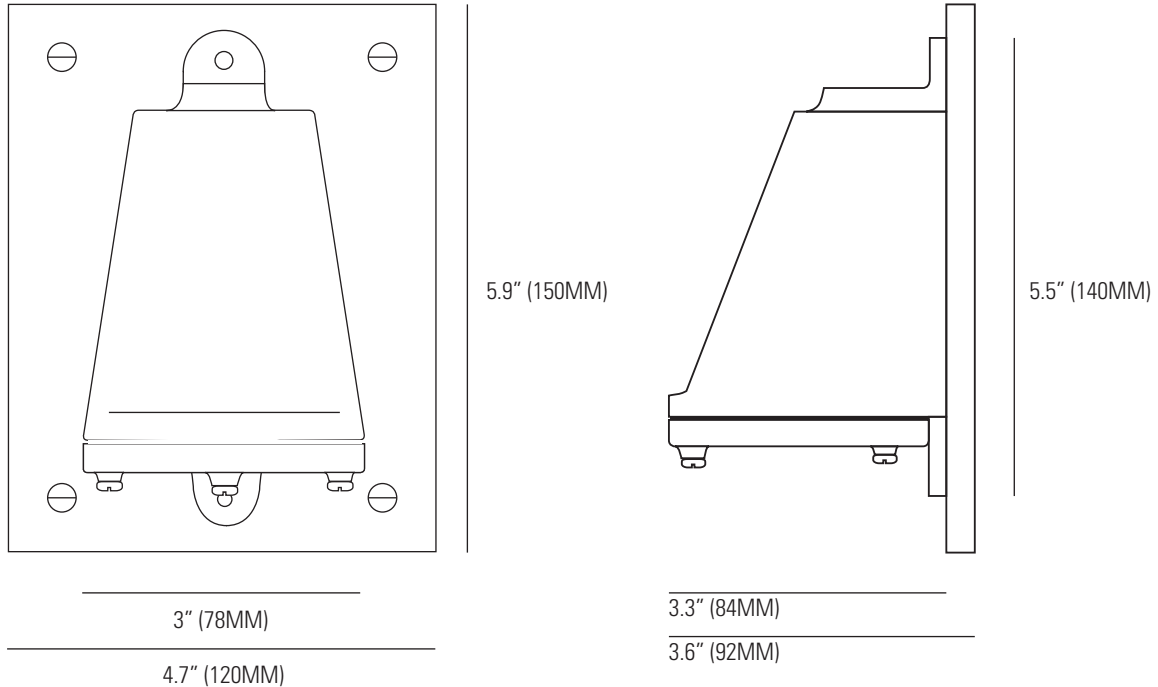


0749 Mast Light, Mains Voltage



Specifications

PRODUCT CODE:	US-DP0749	IP RATING:	IP54
BULB CAP:	GU10	MATERIAL(S):	ALUMINIUM/BRONZE, GLASS
MAX WATTAGE:	35W	AVAILABLE FINISH:	ANODISED, POLISHED OR SANDBLASTED ALUMINIUM. POLISHED, SANDBLASTED OR WEATHERED SANDBLASTED BRONZE
VOLTAGE:	120V (AC)		
BULB TYPE:	PAR16		

LAMP NOT SUPPLIED

MAINS (120V) VOLTAGE FITTING- NO TRANSFORMER/DRIVER REQUIRED

THE MATCHING CAST BACKPLATE IS DESIGNED TO BE INSTALLED OVER STANDARD 4" OCTAGONAL JUNCTION BOXES (DIRECT MOUNTING TO WALL). STATED DIMENSIONS ARE FOR REFERENCE PURPOSES ONLY. DUE TO MANUFACTURING TOLERANCES OF SAND-CASTING, THE ACTUAL DIMENSIONS OF EACH PRODUCT MAY DIFFER TO THOSE STATED.