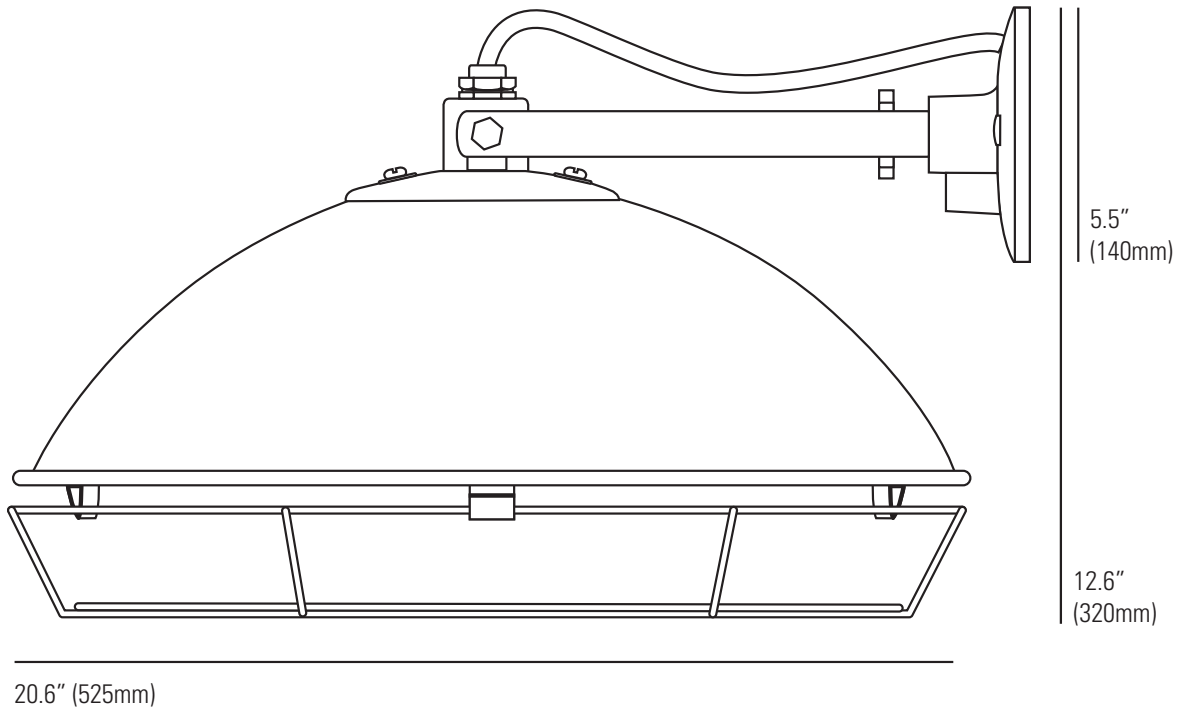


# 7242 Cargo Cluster Wall Light with Protective Guard



## Specifications

PRODUCT CODE:	US-DP7242/GA/1ES/BRKT
BULB CAP:	E26
MAX WATTAGE:	100W
VOLTAGE:	120V (AC)
BULB TYPE:	A

IP RATING:	IP20
MATERIAL(S):	STEEL, ALUMINIUM
AVAILABLE FINISH:	GALVANISED STEEL
CABLE COLOUR:	BLACK