

## 633/US/BI ruspa

design gae aulenti, 1968



The special feature of La Ruspa is the independent rotation of the two reflectors of each lamp shade.

La Ruspa broadcasts a direct and indirect light according to your choice: the reflectors and the articulated arm in a manner to orient the light as one wishes - upward or downward. The structure is in white punctuated aluminium.

Ruspa is available in two versions: one with one arm and two swivel reflectors mod. 633/US another with four arms and eight swivel reflectors Mod. 633/4/US.

The Ruspa is a real collectors piece for those who appreciates Italian classic design. A true mythical lamp!

### 633/US/BI ruspa

family:	ruspa	Body Color:	<input type="radio"/>
Designers:	Gae Aulenti	Diffuser Color:	<input type="radio"/>
Utilization:	indoor	Body Materials:	aluminium
Typology:	table lamps	Diffuser Materials:	aluminium
Certifications:			

#### Dimensions

Width:	-
Height:	22.83 " / 58 cm
Length:	-
Depth:	-
Diameter:	11.81 " / 30 cm

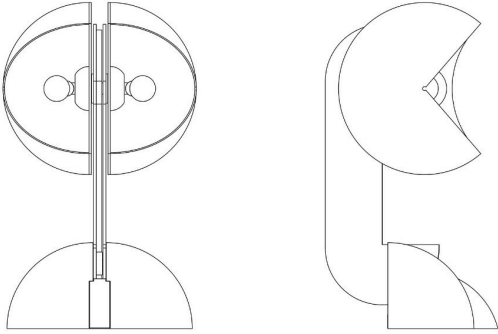
Net weight: 23.15 lbs / 10.5 Kg

#### Light Source

Lumen:	0 lm
Light Source:	led
CRI:	>80
Energy degree:	A+

#### Device Specifications

Type of emission:	direct/indirect	Power cable length:	94.49 " / 240 cm	Driver:	-
Power:	7W	Steel cable length:	-	Power supply assembly:	-
Light output:	152lm			Power supply:	-
Beam angle:	-			Type of dimming:	-
				Voltage:	120V



Dimensions

Width: -

Height: 22.83 " / 58 cm

Length: -

Depth: -

Diameter: 11.81 " / 30 cm

Net weight: 23.15 lbs / 10.5 Kg



**ruspa 633/US/BI**  
design gae aulenti, 1968

