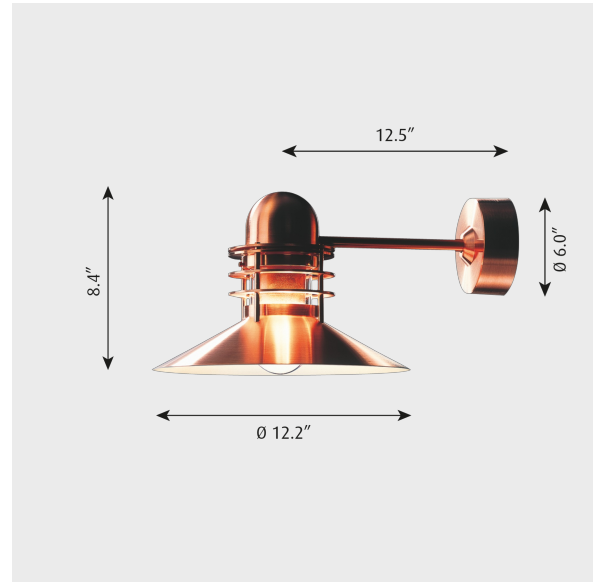


Nyhavn Wall

Project name:

Project type:

Notes:



Design

Alfred Homann & Ole V. Kjær

Product description

Well-proportioned compact outdoor wall luminaire comprising of domed top, a vertical column with three rings, and large conical shade. The shade and lower diffuser ensures comfortable downward light in a wide distribution. The small rings surround a clear cylinder that emits light. The rings are carefully designed to avoid striped shadows, controlling glare while illuminating the top of the conical shade. The shade interior has a white matted painted surface, ensuring uniform light distribution. Copper variant is untreated and will patina over time. The Nyhavn Wall is part of a product family which includes a larger area post top.

Variant options

Color

- Brushed copper
 White

Light source

1x15W A-19/medium

Voltage frequency

120V

Light description

The luminaire emits symmetrical glare-free light directed downwards and outwards, from a screw-base lamp (by others). The shades have a matte white painted interior surface, diffusing the light in a comfortable way. Form of the luminaire can be appreciated illuminated at night as well as during the daylight.

Mounting

Surface: Anchored directly to the wall, centered over junction box. Three mounting holes 0.2 IN diameter on bolt circle 4.9 IN diameter at 120°. Mounting hardware by others.

Information

Electrical:

System Wattage: 15 W

Delivered lumens: 1,239 lm

Efficacy: 82.6 lm/W

Certifications:

cULus, Wet Location

Protection class IP44

BUG Rating: B1-U2-G0

Controllability: Phase dimming

Min.-Max. Ambient Temp: -20°C to +40°C

Actual performance dependent upon screw-base lamp used.

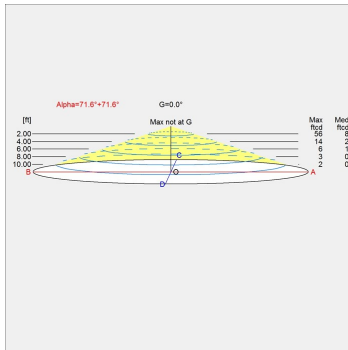
Finish

Brushed copper, White

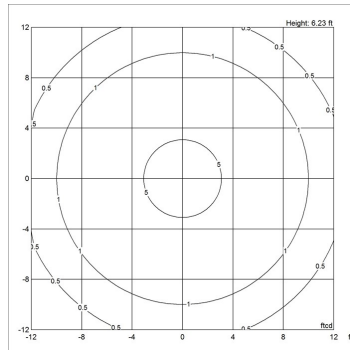
Light distribution diagrams

For the full data set on all variants, see louispoulsen.com.

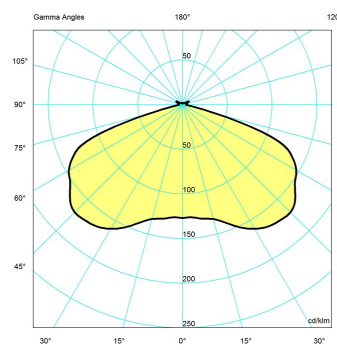
Cartesian



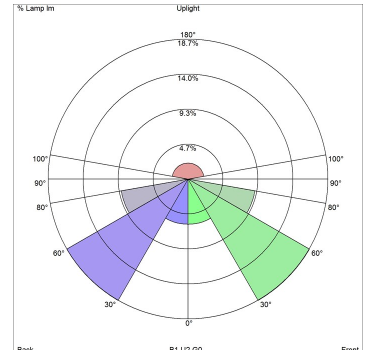
Isolux



Polar



Bug



Variant options

Color Brushed copper White**Light source**

1x15W A-19/medium

1x15W A-19/medium

Voltage frequency

120V

120V

Variant number

5743909379

5743909366