

Trípode

Santa & Cole Team. 1997
Floor lamp



Trípode is a family conceived to lend neutral spaces a warmer touch through the use of colour. This series features two sizes of table lamps, and a popular floor version, in addition to a pendant lamp version in various sizes. Designed in 1994, the GT5 pendant lamp was the first of a large family that was created as an alternative to the use of cardboard, methacrylate, or solid textile shades. The use of handmade cotton ribbon reincorporates traditional craftsmanship. With the light on, the shade provides a warm light, rich in nuances. With the light off, this lamp is a sculptural statement piece that enhances the room.

Santa & Cole continues to champion the use of ribboned shades to dress up every kind of light sources, through various textile materials. Santa & Cole collaborated with the studio Raw Color in Eindhoven (Holland) to create new ribbons colours, each woven from three distinct yarns: terracotta, mustard yellow and forest green. The three basic colours in the ribbon collection, natural white, amber red and black, available since 1994, complete the range of six colours available. A true symbol of contemporary design: simple, colourful and functional.

General description:

Black metal structure.

Natural, red-amber or black ribbon lampshade or terracotta, mustard or green Raw Color ribbon.

Electric cable length: 2,5 m / 97.5"

Approximate weight (unpacked):

4 kg / 8.8 lb

Technical information:

Includes dimmable light source (CE market):

LED bulb: 12 W / 1.521 lm / 2700K / A++ (subject to updates in LED technology).

E27 - E26 / Max. hgt. 160 mm / 6.3" / Max. power 100 W

Dimmer included (dimmable light source required).

Compatible with bulbs of the Energy efficiency class (E.E.C): A++ ... E.

Suitable only for indoor use.

Always use the light source recommended or equivalent.

Input voltage: 100, 120, 230 Vac.

(50 Hz / 60 Hz). According to destination.

Tripode

Santa & Cole Team. 1997
Floor lamp

Regulations:

CE
UNE-EN 60598
UNE-EN 55015
UNE-EN 60529

UL
Dry location only
UL-153
E-352592

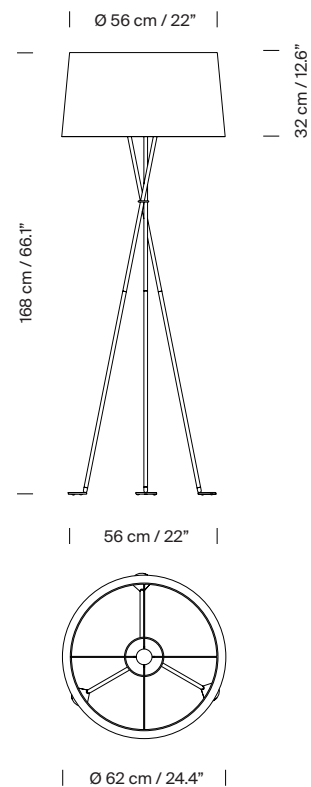
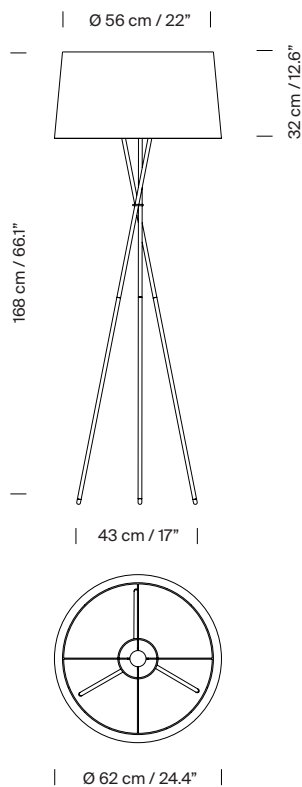
Maintenance:

Clean with a smooth cloth. Do not use ammonia, solvents or abrasive cleaning products.

Others:

The lamp is delivered in different packages.
The assembly instructions are delivered with the product.

Model:



Collection:

Table lamps

Floor lamps

Pendant lamps

Wall lamps



Tripode G6 / M3



Tripode G5



GT5 / GT6



GT7



GT1000 / GT1500



Comodin