

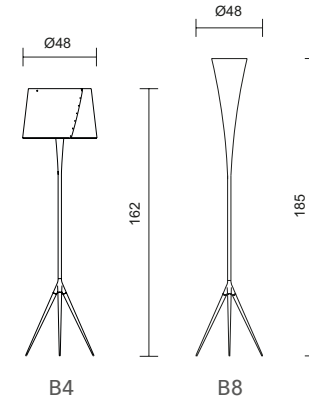
DE-LUX "B"

DESIGNED BY GIO PONTI • 1955



DETAILS

Type: floor lamp
Materials: aluminum / iron / polypropylene
Weight: 3,50 / 4,50 Kg
Insulation: class II / IP20
Bulbs: 1xLED max 20W E27-220V / E26-110V



FINISHINGS

