



Doppio Vetro Applique

designed by Ignazio Gardella, 1955

TDV200

Type: wall lamp

Materials: brass, iron, glass

Bulbs: 3xE27 LED 8W 2700K, total output 2400lm

Weight: 5Kg

Insulation: IP 20

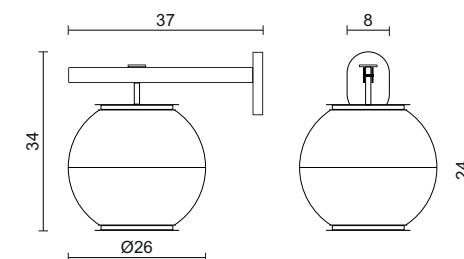
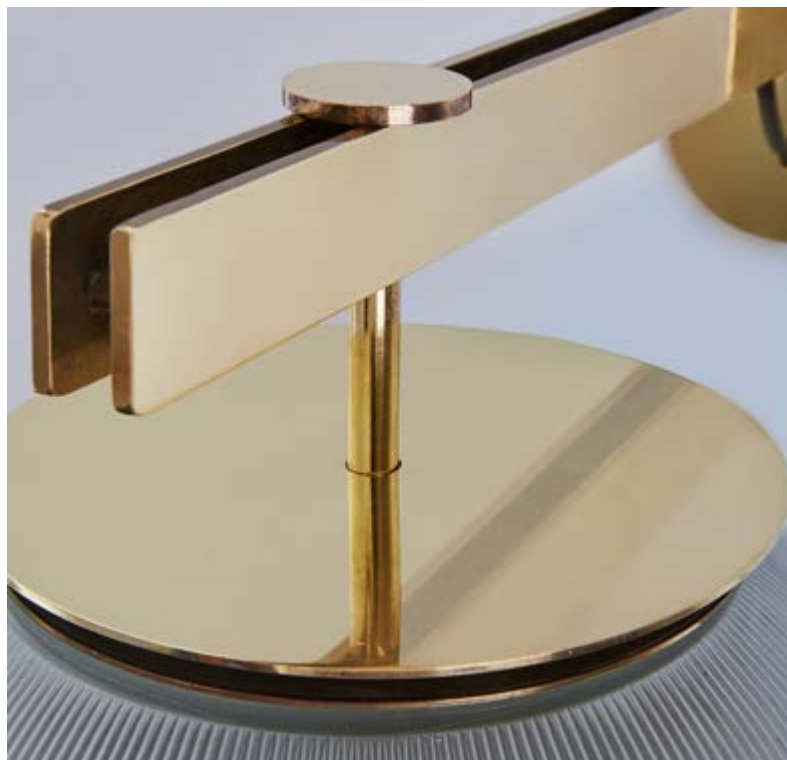
Finishing:



Brass



Chrome





Doppio Vetro Sospensione

designed by Ignazio Gardella, 1955

TDV100

Type: ceiling lamp

Materials: brass, iron, glass

Bulbs: 3xE27 LED 8W 2700K, total output 2400lm

Weight: 5Kg

Insulation: IP 20

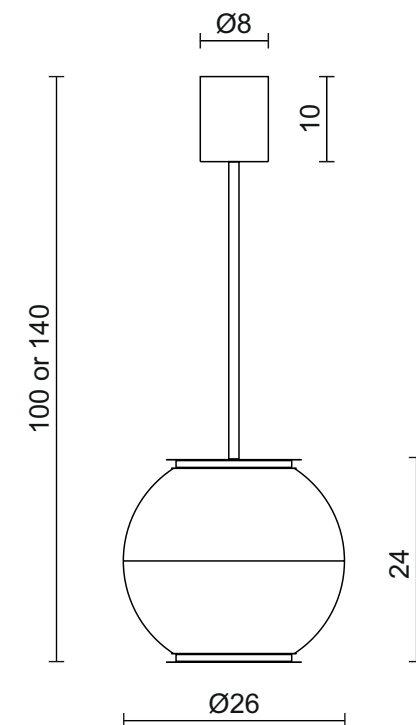
Finishing:



Brass



Chrome



Doppio Vetro

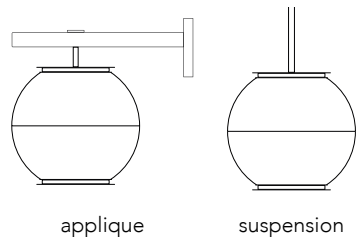
designed by Ignazio Gardella
1955 / 2021



Details

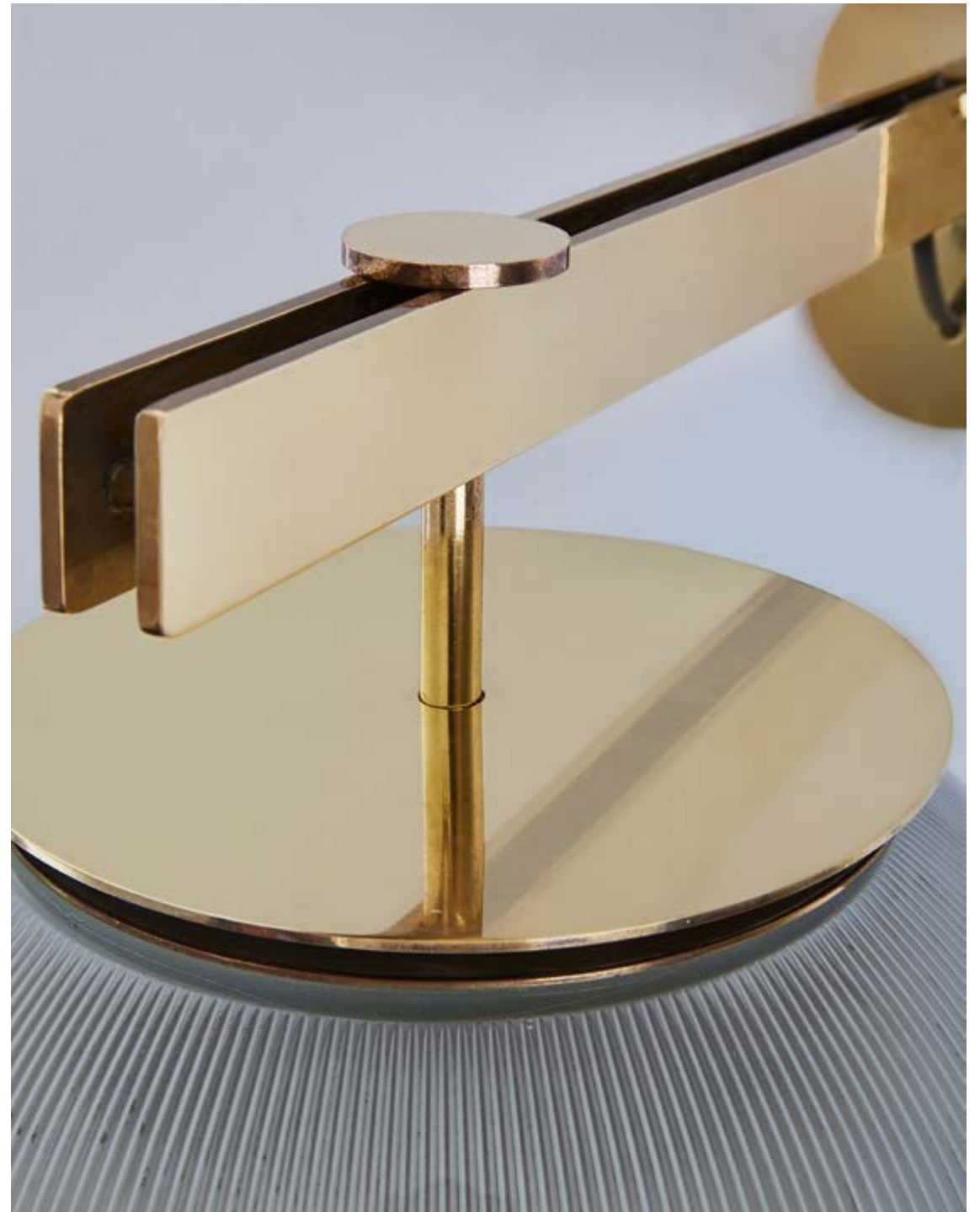
Materials: brass / iron / glass
Insulation: class I / IP20
Bulbs: 3xLED E27/E26 806lm

Models



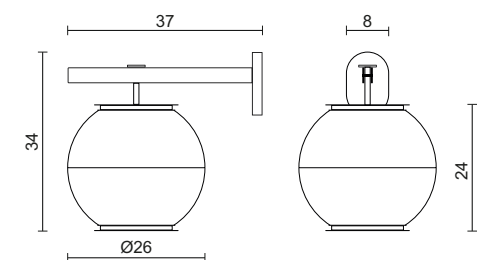
Finishings

Body



Doppio Vetro Applique

Type: wall lamp
Weight: 5,5 Kg





Doppio Vetro Sospensione

Type: ceiling lamp
Weight: 5 Kg

