

## Sphera 29 Pendant

Matteo Thun, 2000

A minimal design that seems to float delicately in your space, the Sphera Pendant is made of handblown Italian glass. Matteo Thun designed Sphera in 2000 as a simple, slightly flattened oval shape that emphasizes the remarkable quality that goes into each of their productions. Sphera uses a technique called *incamiciato*, where Italian *Maestro* glass blowers use multiple layers of glass—each of different transparencies and properties—to create a rich satin white finish that is strong and provides perfect diffused light in your space.

**Diffuser Options:** Satin White

**Structure Options:** Chrome

**Size Options:** 29cm, 37cm, 45cm

**Dimensions:**

Width: 11.4in/29cm  
Depth: 11.4in/29cm  
Height: 9.4in/24cm

**Weights**

Item: 7.5lbs  
Gross: 8.2lbs  
Parcels: 1  
Volume: 2.5

**Certifications:**

ETL

**E26 Socket**

Recommended Bulb: 1x E26 10W Retrofit LED Bulb or 1x E26 75W Incandescent or Halogen Bulb

Dimming Protocol: Phase Cut

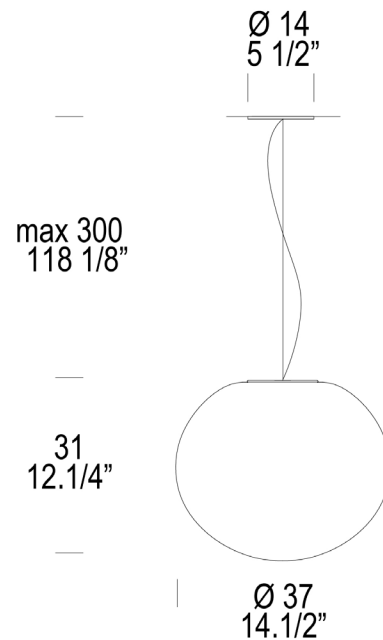
Voltage: 120 V

**SKUs:** 0003242

**Made in Italy**

additional info/images:

[www.leucosusa.com/Sphera\\_Pendant\\_Lamp](http://www.leucosusa.com/Sphera_Pendant_Lamp)



## Sphera 37 Pendant

Matteo Thun, 2000

A minimal design that seems to float delicately in your space, the Sphera Pendant is made of handblown Italian glass. Matteo Thun designed Sphera in 2000 as a simple, slightly flattened oval shape that emphasizes the remarkable quality that goes into each of their productions. Sphera uses a technique called *incamiciato*, where Italian *Maestro* glass blowers use multiple layers of glass—each of different transparencies and properties—to create a rich satin white finish that is strong and provides perfect diffused light in your space.

**Diffuser Options:** Satin White

**Structure Options:** Chrome

**Size Options:** 29cm, 37cm, 45cm

**Dimensions:**

Width: 14.6in/37cm  
Depth: 14.6in/37cm  
Height: 12.2in/31cm

**Weights**

Item: 10.6lbs  
Gross: 11.2lbs  
Parcels: 1  
Volume: 5.3

**Certifications:**

ETL

**E26 Socket**

Recommended Bulb: 1x E26 15W  
Retrofit LED Bulb or 1x E26 100W  
Incandescent or Halogen Bulb

Dimming Protocol: Phase Cut

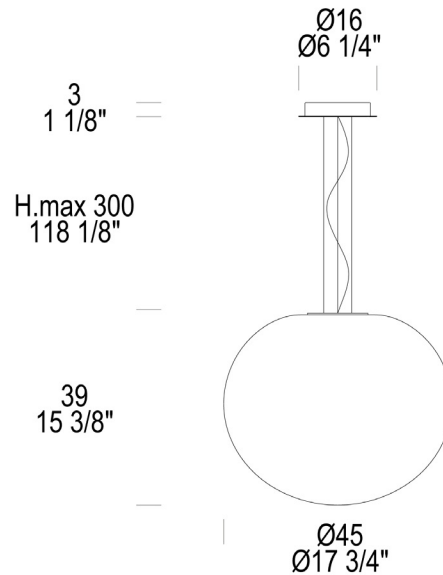
Voltage: 120 V

**SKUs:** 0003244

**Made in Italy**

additional info/images:

[www.leucosusa.com/Sphera\\_Pendant\\_Lamp](http://www.leucosusa.com/Sphera_Pendant_Lamp)



## Sphera 45 Pendant

Matteo Thun, 2000

A minimal design that seems to float delicately in your space, the Sphera Pendant is made of handblown Italian glass. Matteo Thun designed Sphera in 2000 as a simple, slightly flattened oval shape that emphasizes the remarkable quality that goes into each of their productions. Sphera uses a technique called *incamiciato*, where Italian *Maestro* glass blowers use multiple layers of glass—each of different transparencies and properties—to create a rich satin white finish that is strong and provides perfect diffused light in your space.

**Diffuser Options:** Satin White

**Structure Options:** Chrome

**Size Options:** 29cm, 37cm, 45cm

**Dimensions:**

Width: 17.7in/45cm  
Depth: 17.7in/45cm  
Height: 15.4in/39cm

**Weights**

Item: 11.9lbs  
Gross: 17.2lbs  
Parcels: 2  
Volume: 4.6

**E26 Socket**

Recommended Bulb: 1x E26 15W  
Retrofit LED Bulb or 1x E26 150W  
Incandescent or Halogen Bulb

Dimming Protocol: Phase Cut

Voltage: 120 V

**SKUs:** 0003614

**Made in Italy**

additional info/images:

[www.leucosusa.com/Sphera\\_Pendant\\_Lamp](http://www.leucosusa.com/Sphera_Pendant_Lamp)