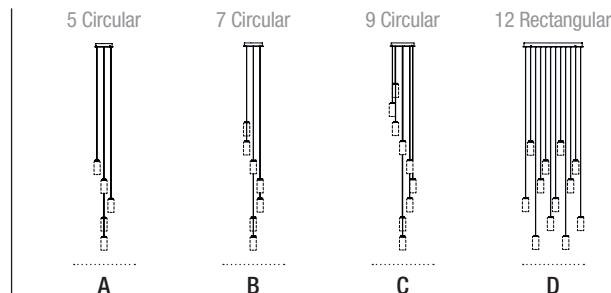
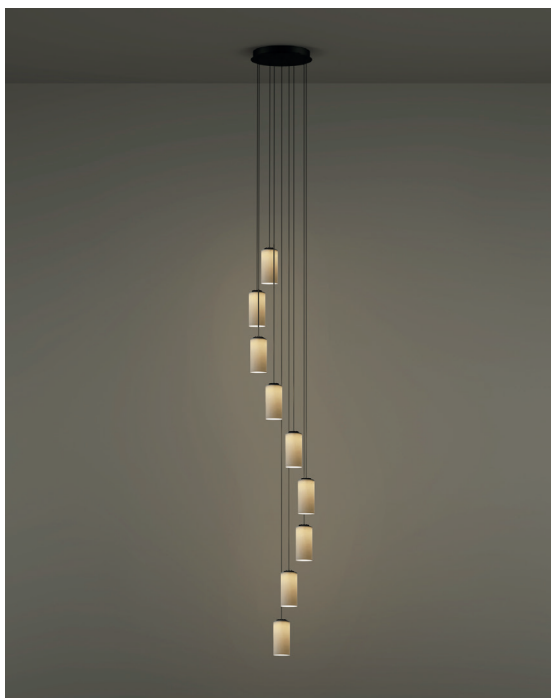


Cirio Cascada

Antoni Arola, 2017

Pendant lamps



The Cirio family is expanding with the new Cascada version. A compact, ornamental design – apt to serve as a recurrent embellishment conjuring images of Versailles – which exudes its warm LED candle light, lending atmosphere to large spaces.

GENERAL DESCRIPTION

Capsule with LED module, translucent white diffuser and heat sink with black matte finish.

3 lampshade options: white porcelain, polished brass and white opal glass. Black metal canopies family (3 circular options and 1 rectangular) with integrated equipment.

(A) Ø32 cm / 12.6" for 5 lampshades.

(B) Ø32 cm / 12.6" for 7 lampshades.

(C) Ø40 cm / 15.8" for 9 lampshades.

(D) 96 cm x 32 cm / 37.8" x 12.6" for 12 lampshades.

Suitable for Junction Box (UL market).

Electric cable length: 3 m / 118.1" - 8 m / 315"

LIGHT SOURCE

Light source included

(A)
5 x Module of 4 LEDs
Power system: 46,1 W
Flujo luminoso: 3.760 lm

(B)
7 x Module of 4 LEDs
Power system: 64,6 W
Flujo luminoso: 5.264 lm

(C)
9 x Module of 4 LEDs
Power system: 83 W
Luminous flux: 6.768 lm

(D)
12 x Module of 4 LEDs
Power system: 110 W
Flujo luminoso: 9.024 lm

(A / B / C / D)
Power LED: 7,7 W
Operating current: 700 mA
T^a Colour: 2.700 K
Typical CRI: 90
Lifetime: 40.000 h

Built-in adjustable LED.
Suitable for dimming systems
1-10V / DALI. (Not included external
dimmer switch 1-10V / DALI).

Energy efficiency class (E.E.C):

A⁺⁺... A.

Suitable only for indoor use.

Always use this light source.

Input voltage : 120 ~ 277 Vac.
(50 Hz / 60 Hz). According to
destination.

Luminous performance with
lampshade:

- White porcelain: 29%
- Polished brass: 29.3%
- White opal glass: 87%



SANTA & COLE

APPROXIMATE WEIGHT (unpacked)

(Weight with porcelain lampshade)

(A) 5 Circular

3 m: 7 Kg / 15.5 lb

8 m: 8 Kg / 17.6 lb

(B) 7 Circular

3 m: 9 Kg / 19.8 lb

8 m: 10 Kg / 22 lb

(C) 9 Circular

3 m: 12 Kg / 26.5 lb

8 m: 14 Kg / 30.9 lb

(D) 12 Rectangular:

3 m: 18 Kg / 39.7 lb

8 m: 20 Kg / 44 lb

Lampshades:

Porcelain: 0,5 Kg / 1.1lb

Opal glass: 0,6 Kg / 1.3 lb

Brass: 0,3 Kg / 0.7 lb

REGULATIONS

CE



UNE-EN 60598

UNE-EN 55015

UNE-EN 62031

UNE-EN 61000-3-2

UNE-EN 60529

UNE-EN 61347-2-13



Dry and damp location

UL-1598

UL-8750

E-336377

MAINTENANCE

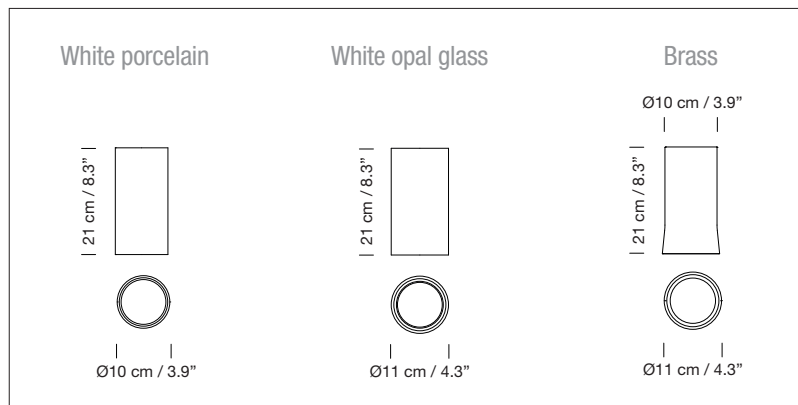
Clean with a smooth cloth. It is advised not to use any ammonia, solvent or abrasive products.

OTHERS

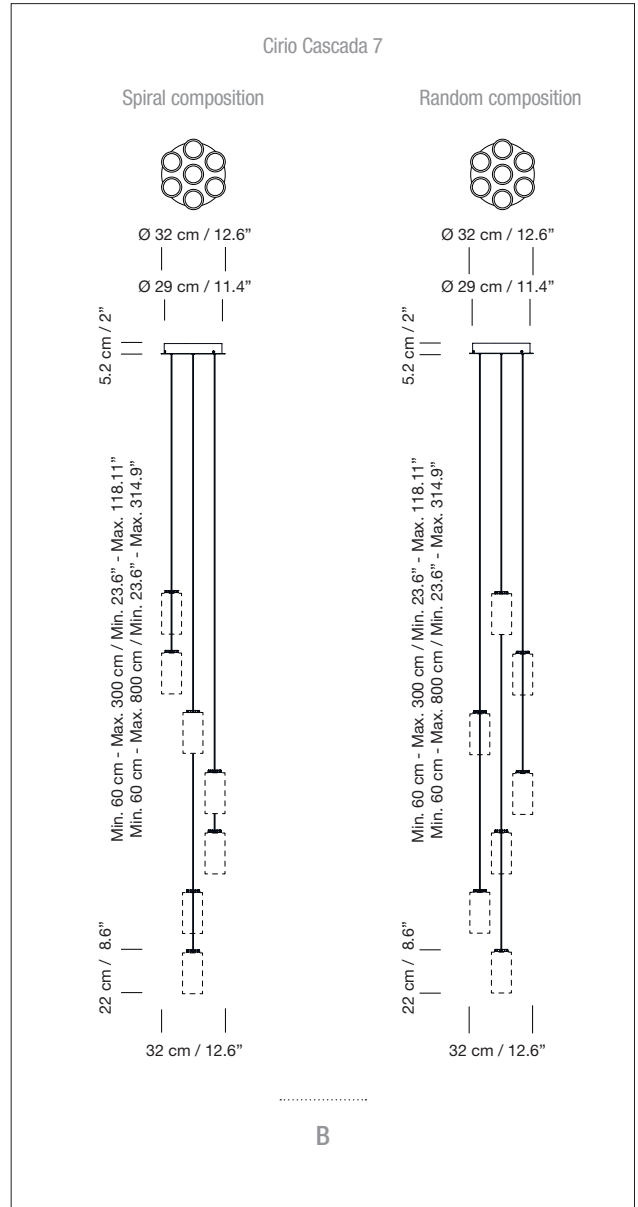
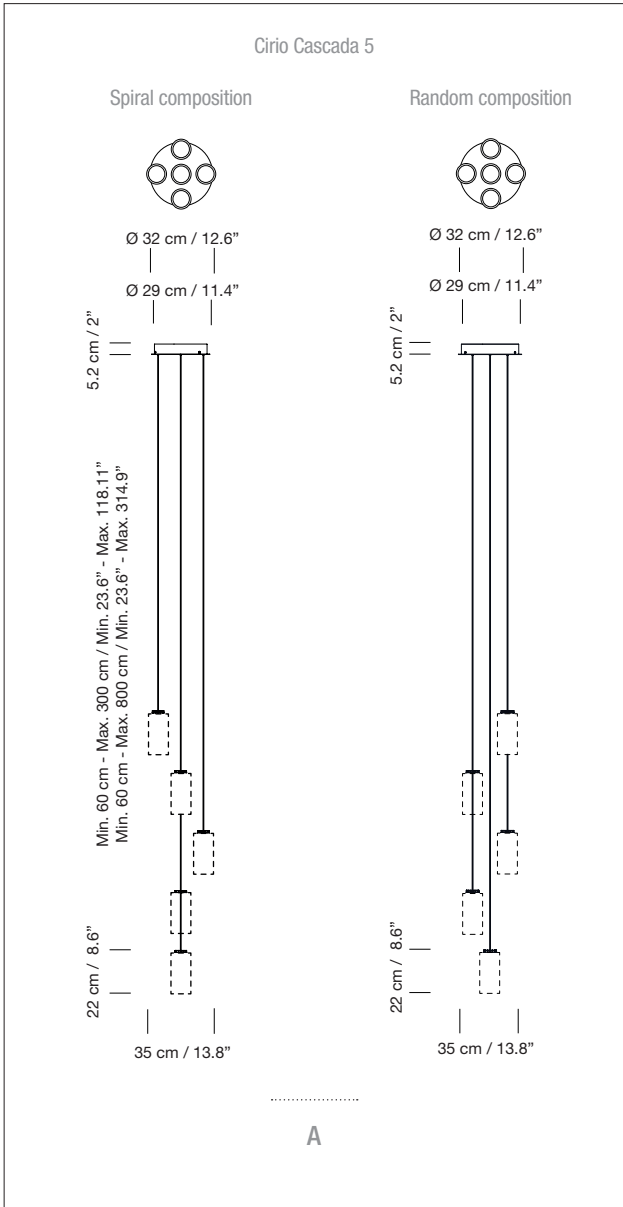
The lamps are delivered in different packets.

The assembly instructions are delivered with the product.

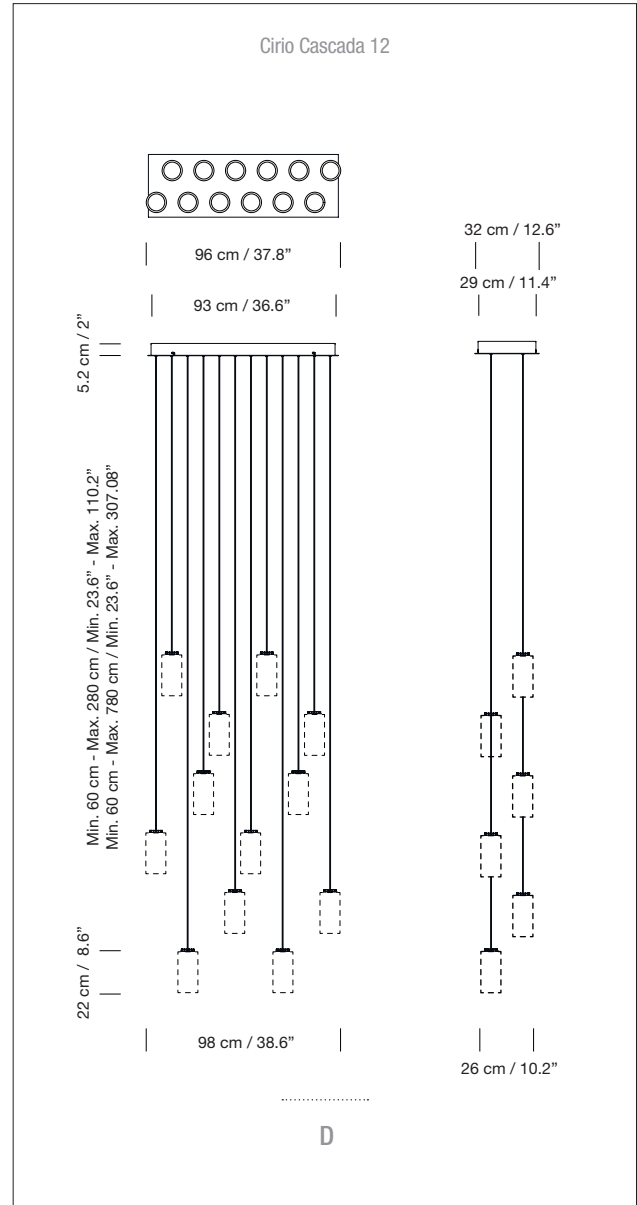
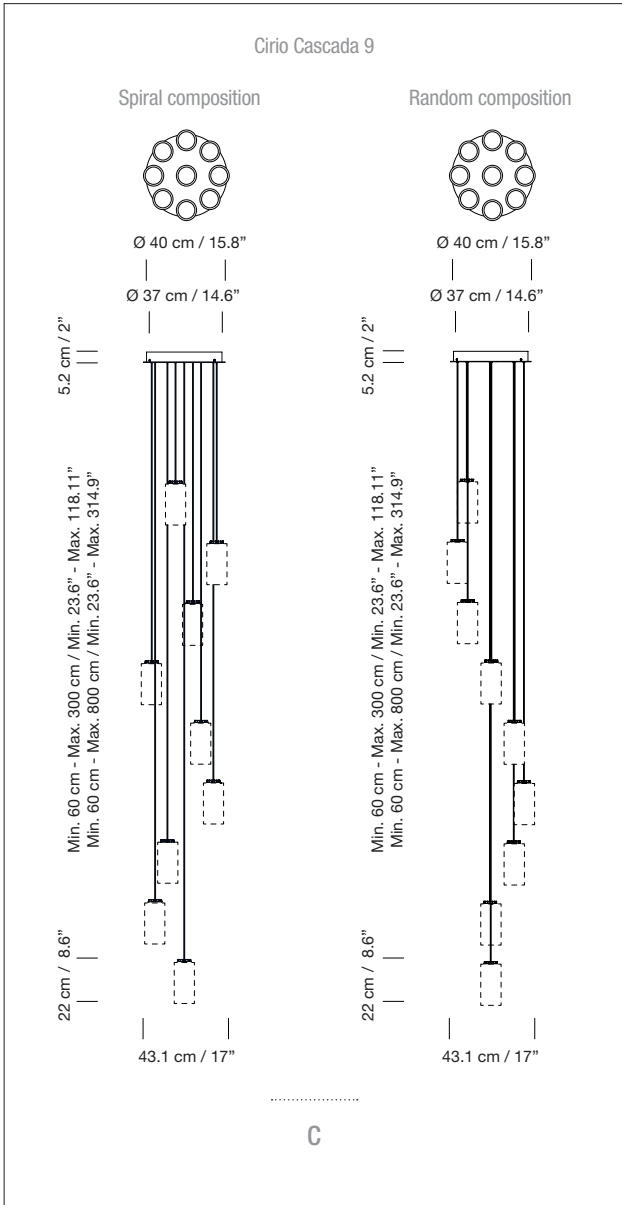
LAMP SHADES



MODELOS



MODELOS



COLLECTION

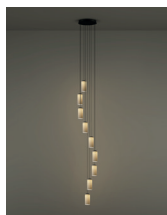
Pendant lamps



Cirio Simple



Cirio Múltiple



Cirio Cascada



Cirio Circular



Cirio Lineal



Cirio Chandelier