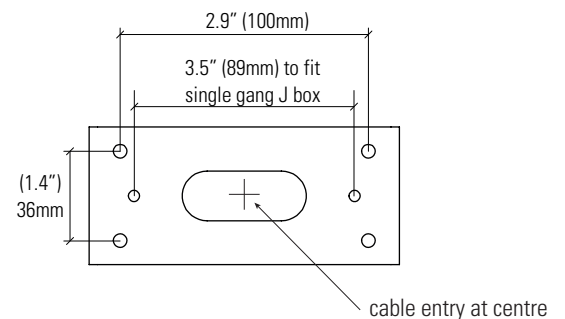


Backplate fixing hole positions:



Specifications

PRODUCT CODE: US-DP7219/35

MAX WATTAGE: 3W

VOLTAGE: 12V (DC)

BULB TYPE: LED TUBE (INTEGRAL)

IP RATING: IP20

MATERIAL(S): PLATED STEEL

AVAILABLE FINISH:
WEATHERED BRASS
POLISHED BRASS
POLISHED CHROME

Fitting requires a remote Class II constant voltage (12V) LED driver *(not supplied)*.

Fitting is dimmable if using a dimmable driver *(not supplied)*.

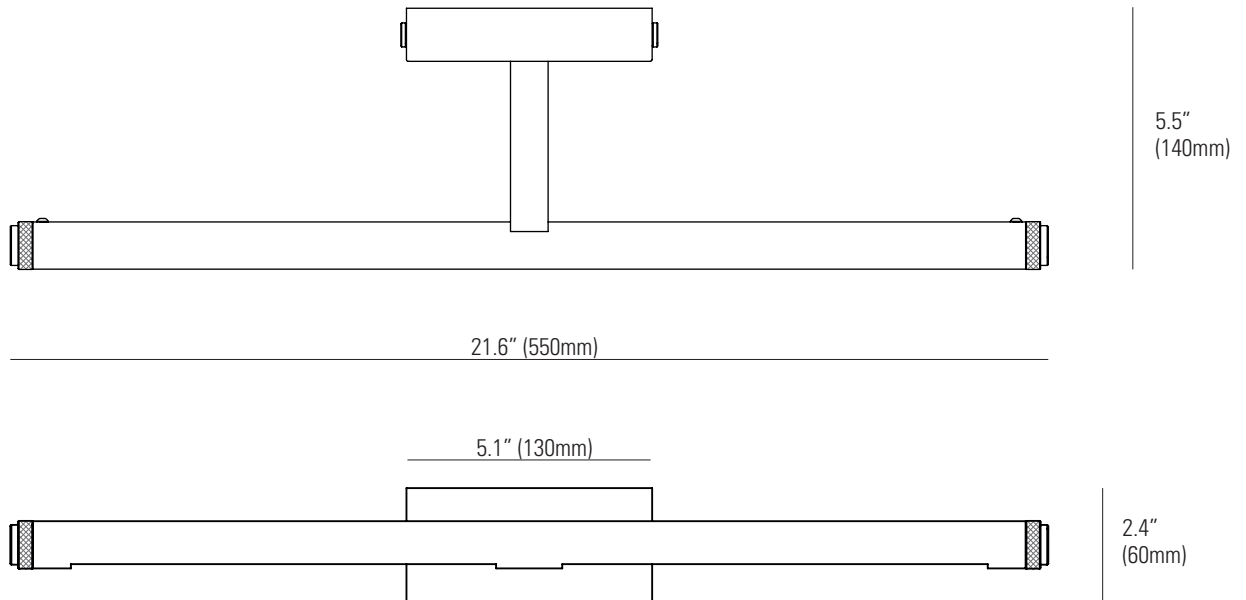
Warm white tone LED (2700K), CRI 90

Where installation requires mounting to a J box, a single gang handy box should be installed.

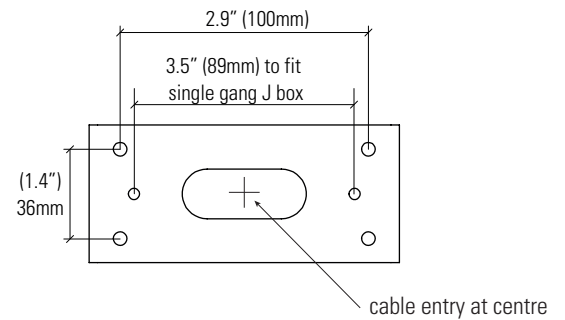


IMPORTANT:

- LOW VOLTAGE LED FITTING
- CONNECTION TO REMOTE DRIVER REQUIRED FOR MAINS INSTALLATION



Backplate fixing hole positions:



Specifications

PRODUCT CODE: US-DP7219/55

MAX WATTAGE: 8W

VOLTAGE: 12V (DC)

BULB TYPE: LED TUBE (INTEGRAL)

IP RATING: IP20

MATERIAL(S): PLATED STEEL

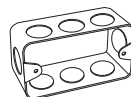
AVAILABLE FINISH: WEATHERED BRASS
POLISHED BRASS
POLISHED CHROME

Fitting requires a remote Class II constant voltage (12V) LED driver (*not supplied*).

Fitting is dimmable if using a dimmable driver (*not supplied*).

Warm white tone LED (2700K), CRI 90

Where installation requires mounting to a J box, a single gang handy box should be installed.



IMPORTANT:

- LOW VOLTAGE LED FITTING
- CONNECTION TO REMOTE DRIVER REQUIRED FOR MAINS INSTALLATION