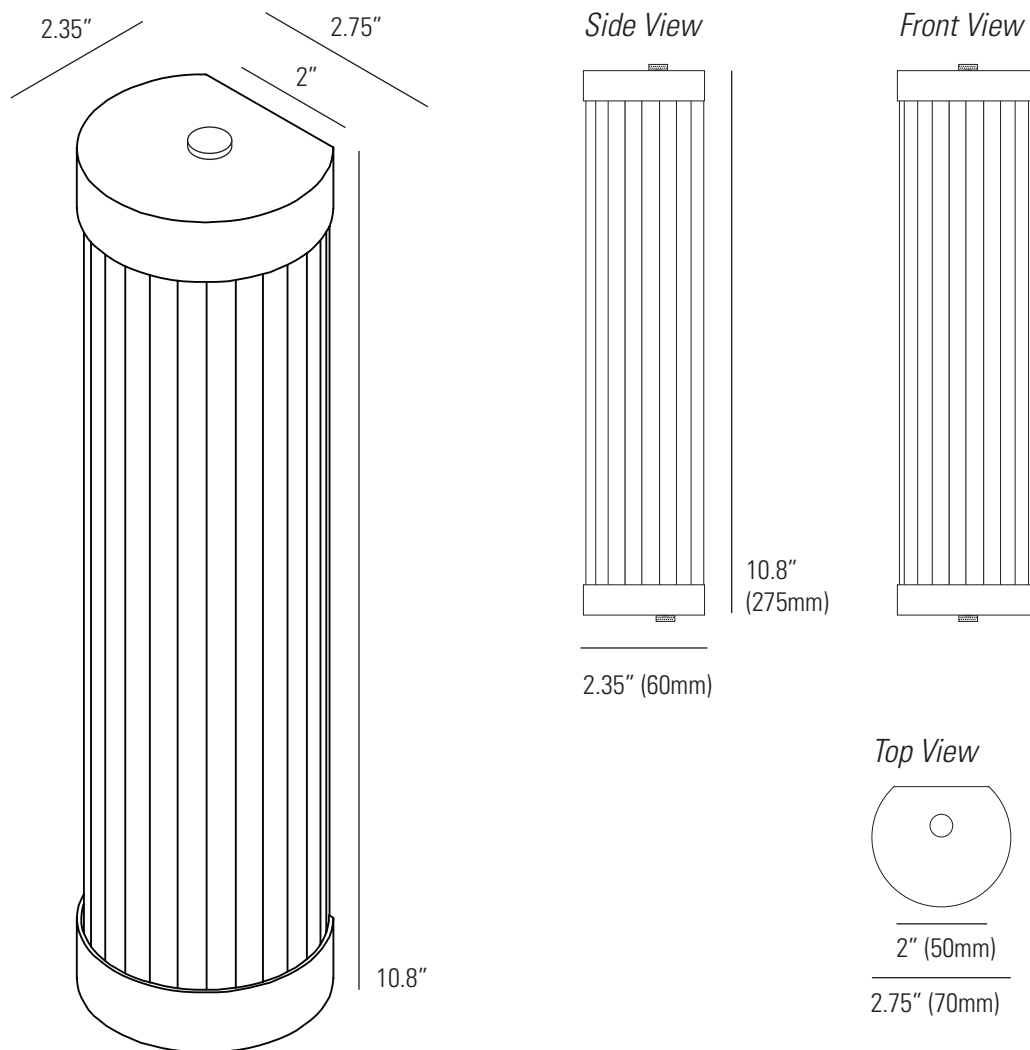


# 7212/27 Pillar LED wall light, 27/7cm



## Specifications

PRODUCT CODE:	US-DP7212/27	IP RATING:	IP44
MAX WATTAGE:	2.5W	MATERIAL(S):	BRASS/CHROME, GLASS
VOLTAGE:	12V (DC)	AVAILABLE FINISH:	POLISHED/WEATHERED BRASS OR CHROME PLATED
BULB TYPE:	LED TUBE (SUPPLIED)		

Suitable for use in Damp locations

Supplied with integral LED and driver (for remote installation up to 30 feet from the fitting\*)

Fitting is supplied with phase (trailing and leading edge) dimmable driver\*\*

Warm white tone LED (2700K)

Where the installation of the product requires mounting to a junction box, a single switch ring electrical box should be installed.

\*Assuming minimum cable gauge is 1.5mm (16AWG)

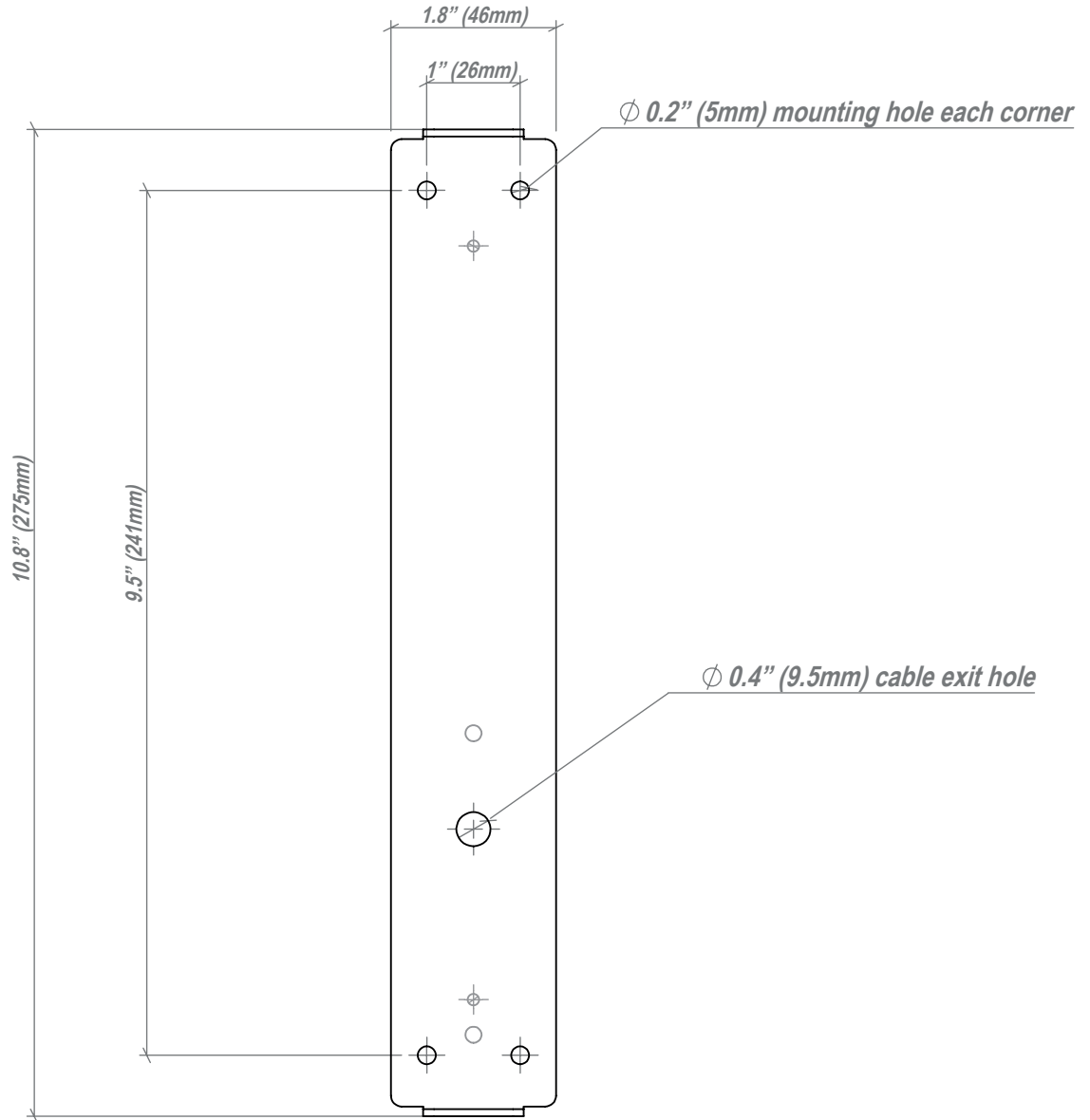
\*\*Product has smooth, stable dimming performance from 10-100% with Lutron CL dimming module.

Dimming performance may vary between manufacturers, check minimum load and compatibility against dimmer specification.

### IMPORTANT:

- LOW VOLTAGE LED FITTING
- CONNECTION TO REMOTE DRIVER (SUPPLIED) REQUIRED FOR MAINS INSTALLATION

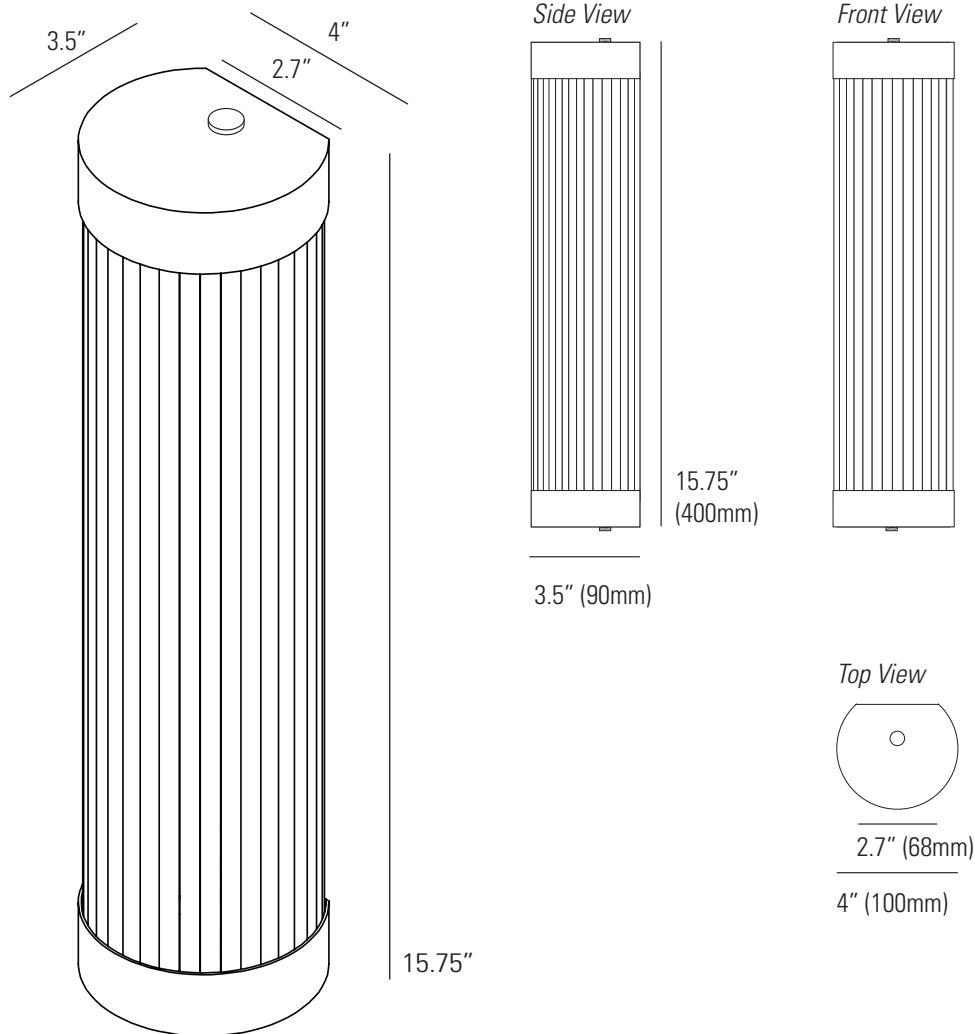
# 7212/27 BACKPLATE: Pillar LED wall light, 27/7cm



Backplates can be rotated 180 degrees- to allow cable exit to be positioned at top if required.

Stated dimensions are for reference purposes only. Due to manufacturing tolerances, the actual dimensions of each product may differ to those stated.

# 7211/40 Pillar LED wall light, 40/10cm



## Specifications

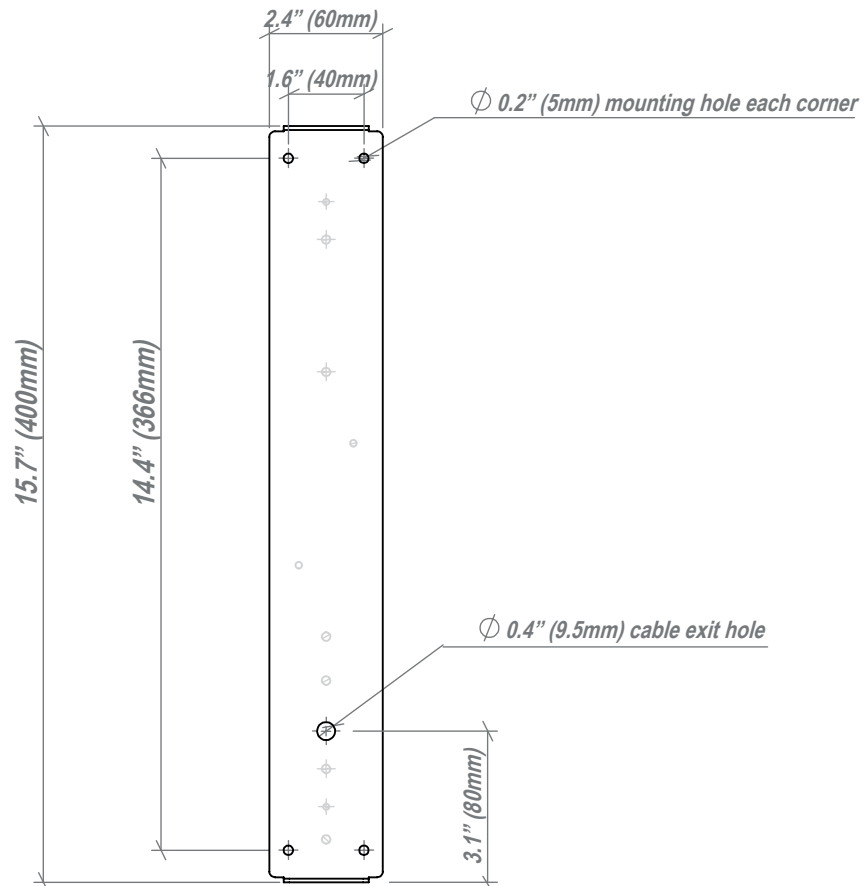
PRODUCT CODE:	US-DP7211/40	IP RATING:	IP44
MAX WATTAGE:	7.5W	MATERIAL(S):	BRASS, GLASS
VOLTAGE:	120V (AC)	AVAILABLE FINISH:	POLISHED/WEATHERED BRASS OR CHROME PLATED
BULB TYPE:	LED TUBE (SUPPLIED)		

Suitable for use in Damp locations  
Supplied with integral LED and driver  
Fitting is supplied with trailing edge dimmable driver\*  
Warm white tone LED (2700K)

Where the installation of the product requires mounting to a junction box, a single switch ring electrical box should be installed.

\*Product has smooth, stable dimming performance from 10-100% with Lutron CL dimming module. Dimming performance may vary between manufacturers, check minimum load and compatibility against dimmer specification.

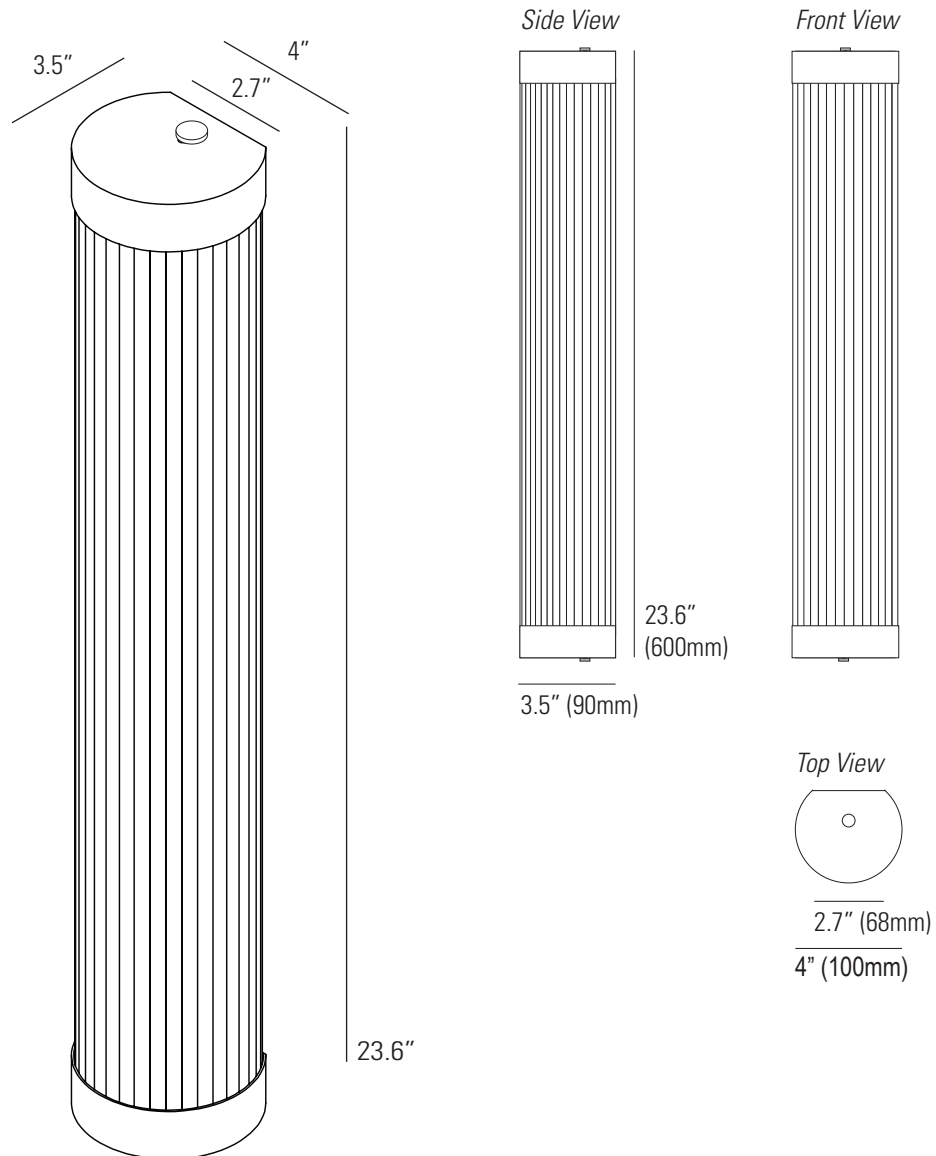
# 7211/40 BACKPLATE: Pillar LED wall light, 40/10cm



Backplates can be rotated 180 degrees- to allow cable exit to be positioned at top if required.

Stated dimensions are for reference purposes only. Due to manufacturing tolerances, the actual dimensions of each product may differ to those stated.

# 7211/60 Pillar LED wall light, 60/10cm



## Specifications

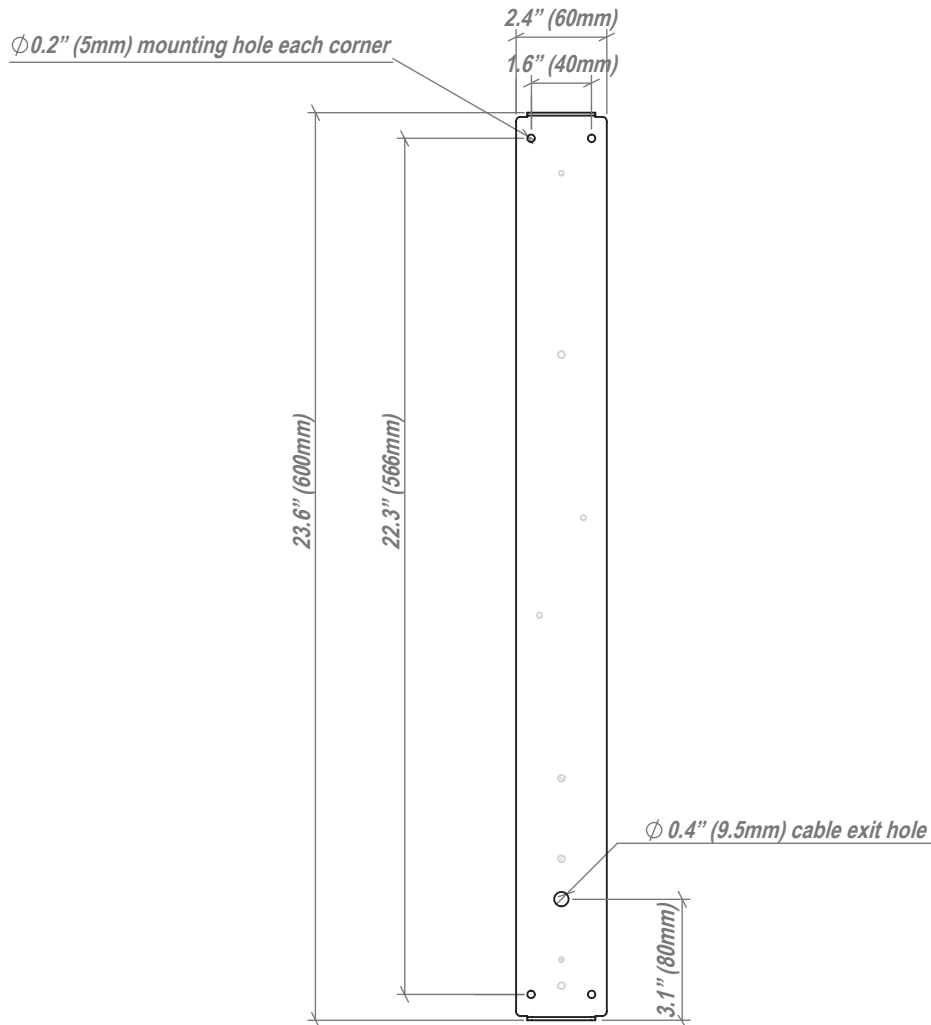
PRODUCT CODE:	US-DP7211/60	IP RATING:	IP44
MAX WATTAGE:	7W	MATERIAL(S):	BRASS, GLASS
VOLTAGE:	120V (AC)	AVAILABLE FINISH:	POLISHED/WEATHERED BRASS OR CHROME PLATED
BULB TYPE:	LED TUBE (SUPPLIED)		

Suitable for use in Damp locations  
Supplied with integral LED and driver  
Fitting is supplied with trailing edge dimmable driver\*  
Warm white tone LED (2700K)

Where the installation of the product requires mounting to a junction box, a single switch ring electrical box should be installed.

\*Product has smooth, stable dimming performance from 10-100% with Lutron CL dimming module. Dimming performance may vary between manufacturers, check minimum load and compatibility against dimmer specification.

# 7211/60 BACKPLATE: Pillar LED wall light, 60/10cm



Backplates can be rotated 180 degrees- to allow cable exit to be positioned at top if required.

Stated dimensions are for reference purposes only. Due to manufacturing tolerances, the actual dimensions of each product may differ to those stated.