

Designed to rest on a desk or hang from a wall, Lamparaprima consists of a metal rod supporting a LED tube, encased in a rotating visor-like shade. By bending and twisting a clothes hanger, Pete Sans came upon an ingenious and expressive solution that would become his first commercial lamp and the second product ever issued by Santa & Cole.

“There is always an element of invention in my work”, explains the creator. The 2025 version introduces a low-voltage (12V) system that gives the structure itself the ability to conduct electricity. This requires an LED light source, even if it’s still visually reminiscent of a traditional soffit, and further allows it to operate with a simple rotation of the shade to switch it on or off.

**General description:**

Metallic structure.  
Transparent glass light source.  
Applications: table lamp or wall lamp.  
Includes orientable metal diffuser.  
The light is switched on/off by rotating the light source.  
Electric cable length: 2 m / 78.7”

**Approximate weight (unpacked):**

0,44 kg / 0.97 lb

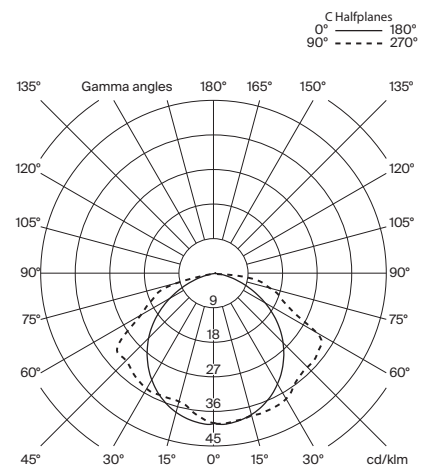
**Technical information:**

Light source included  
LED module (S&C 12V LED module)

Rated input wattage: 6 W  
CCT: 2.500 K  
CRI: 90  
Lifetime: 40.000 h  
Luminous flux: 350 lm

Suitable only for indoor use.  
Always use this light source.

Input voltage: 100-240 Vac.  
(50 Hz / 60 Hz). According to destination.



**Regulations:**

UNE-EN 60598  
UNE-EN 55015  
UNE-EN 60529

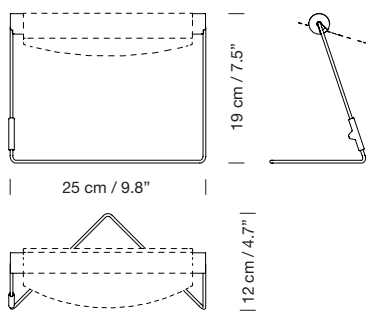
**Maintenance:**

Clean with a smooth cloth. Do not use ammonia, solvents or abrasive cleaning products.

**Others:**

The lamp is delivered in one package.  
The assembly instructions are delivered with the product.

**Model / Code:**



Code

LMPTA01